

ESG[®]

青岛精锐机械制造有限公司
Qingdao Elite Machinery Manufacture Co., Ltd.

地址 Add: 青岛市即墨区海尔路155号 No. 155, Haier Rd., Jimo, Qingdao, China
电话 Tel: 400-697-6268
网址 Web: www.esgvalve.cn www.esgvalve.com
邮箱 Email: info@esgvalve.com



ESG 企业官网
ESG Corporate Website



ESG 微信公众号
ESG Official Wechat

2024版 Edition

Perfect Valves For The World!

为世界 造好阀

ESG[®]

橡塑行业 解决方案

SOLUTIONS FOR RUBBER AND PLACTIC INDUSTRY



打造行业顶级标杆，铸就百年幸福企业

Be the industry benchmark and create a century-old enterprise

为世界 造好阀



青岛精锐机械制造有限公司（后简称“ESG”）是集阀门的研发、生产、销售于一体的高新技术企业、专精特新“小巨人”企业、山东省瞪羚企业。公司密切关注客户需求，致力于成为流体过程控制系统解决方案领跑者。

自2001年成立以来，ESG已获得百余项专利，其中发明专利10项。公司着力打造HCPS智能制造工厂，主要产品涵盖工业级阀门、卫生级阀门及相关控制部件。角座阀、梭阀、隔膜阀、蝶阀、球阀、疏水阀、膜塞阀等多种主流阀门系列产品广受客户好评。阀门产品远销82个国家，服务范围覆盖核工业、新能源、医药、食品饮料、橡胶轮胎等19个重点行业，9家世界五百强企业。

Qingdao Elite Machinery Manufacture Co.,Ltd. (hereinafter referred to as "ESG") is a high-tech enterprise integrating R&D, production and sales of valves. The company pays close attention to customer needs and is committed to becoming a leader in fluid process control system solutions.

Since its establishment in 2001, ESG has obtained more than 100 patents, including 10 invention patents. The company focuses on building an HCPS intelligent manufacturing factory to improve production efficiency. The main products cover industrial-grade valves, sanitary valves and related control components. More than 30 mainstream valve series products such as angle seat valves, shuttle valves, diaphragm valves, butterfly valves and ball valves are widely accepted by customers. ESG products are exported to 82 countries, covering 19 key industries such as nuclear industry, new energy, biomedical, rubber tires, food and beverage, and we have 9 Fortune 500 companies partners.





匠心好阀+一体化解决方案 助力橡塑企业降本节能，提升行业竞争力

橡塑行业热工硫化过程通常在高温高压的复杂环境下进行，对配套阀门产品提出了较高的要求。ESG热工硫化系统配套阀门产品经过长时间的研发创新，采用高端进口密封材料，经全新工艺精密铸造，阀门各方面性能稳定，对橡塑行业适配性高，能够满足客户各种高温高压的使用环境。

硫化机热工阀组是轮胎硫化机的核心部件，当前市场产品在集成体积和保温效果上存在很大差异。ESG新型硫化机集成阀组在现有硫化机热工原理基础上，进行整体集成化，体积紧凑，减少30%以上；泄漏点更少，保温效果更好，热量损失可减少20-30%以上，密封更加可靠。

Good ingenuity valve + integrated solution Help rubber and plastic enterprises to reduce costs and improve industry competitiveness

The thermal vulcanization process of rubber and plastic industry is usually carried out in a complex environment of high temperature and pressure, which puts forward higher requirements for supporting valve products. After a long period of research and innovation, the valve of the thermal vulcanization system adopts high-end imported sealing materials with new precision cast process. The valve has stable performance in all aspects, high adaptability to the rubber and plastic industry, and can meet the customer's various high temperature and high pressure condition.

The thermal valve bank for vulcanization machine is the core component of tire vulcanization machine. There are great differences in the integrated volume and insulation effect of current products. Based on the thermal principle of the existing vulcanizer, the new integrated valve bank is compact in volume and reduced by more than 30% than other brands. The leakage point is less, the insulation effect is better, the heat loss can be reduced by more than 20%-30%. Moreover, the sealing is more reliable than similar ones in current market.

目录 Contents



切断阀
Shut Off Valve
05-08



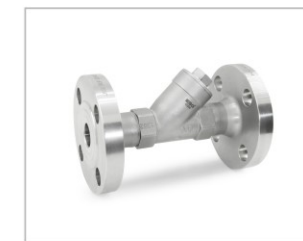
调节阀
Regulating Valve
09-10



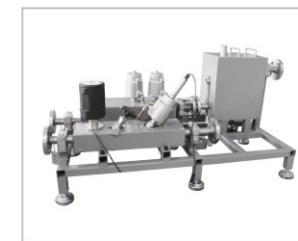
止回阀
Check Valve
11-12



过滤排污阀
Filter Discharge Valve
13



过滤器
Strainer
14



集成阀组
Integrated Valve Bank
15-16



Y型角座阀
Y-type Angle Seat Valve
17-30



比例调节角座阀
Proportional Control Angle Seat Valve
31-34



切断阀 Shut Off Valve

Z11系列二通切断阀
Z11 Series
Pneumatic Shut Off Valve



技术参数

- 工作压力: 0-32bar (0-464psi)
- 介质温度: -30°C—+220°C
- 控制压力: 2.5-3.5bar (36.25-50.75psi)
- 阀体材质: CF8
- 通道种类: 2通和3通
- 密封材质: PTFE
- 适用介质: 高温蒸汽、过热水、氮气、压缩空气
- 控制形式: 单作用常闭、常开
- 法兰标准: JIS 20K
(*可定制ASME CLASS300, DIN PN40, GB PN40)

产品应用行业及特点

1. 阀门适用于蒸汽、压缩空气、氮气、过热水等;
2. 采用优质PTFE密封材料及特殊的几何形状, 确保密封可靠及流量平稳;
3. 填料采用4组特殊V型增强PTFE和弹簧, 耐磨损且具有自动补偿功能;
4. 特殊的阀杆表面处理, 确保阀杆与填料的摩擦力小且密封可靠;
5. 广泛应用于橡胶制品、轮胎等产品的硫化内外温工艺自动化控制。

Technical Specification

- Operating pressure: 0-32bar (0-464psi)
- Fluid temperature: -30°C—+220°C
- Control pressure: 2.5-3.5bar (36.25-50.75psi)
- Body material: CF8
- Ports: 2-way, 3-way
- Seal material: PTFE
- Application fluid: Steam, super hot water, nitrogen, compressed air
- Control type: Single Acting Normally Closed, Single Acting Normally Open
- Connection type: Flange JIS 20K
(ASME CLASS300, DIN PN40, GB PN40 customization available)

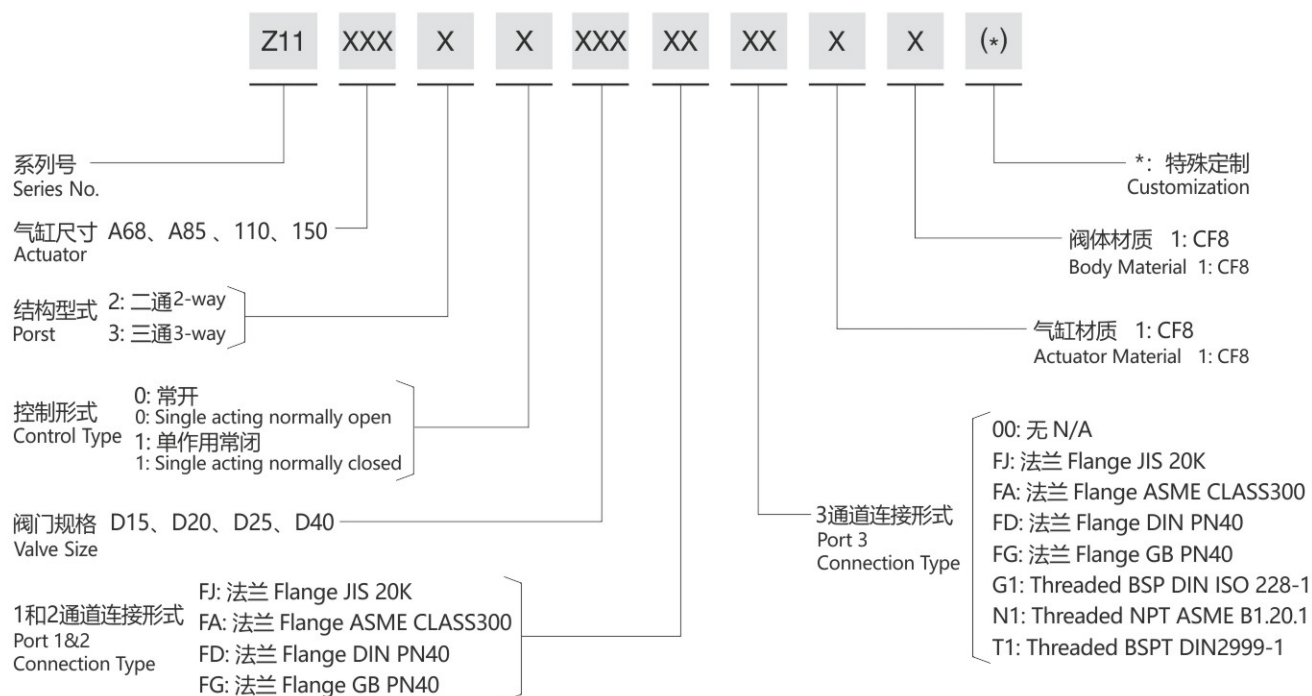
Introduction

1. Valves are suitable for steam, compressed air, nitrogen and superhot water as well as other medias.
2. High quality PTFE sealing material and special geometry ensure reliable sealing and smooth flow.
3. The packing uses 4 sets of V-reinforced PTFE and springs, which are resistant to wear and have automatic compensation function.
4. Special stem indicating treatment ensures low friction and reliable sealing of the stem and packing.
5. Widely used in rubber, tire and other products vulcanization process of automatic temperature control.

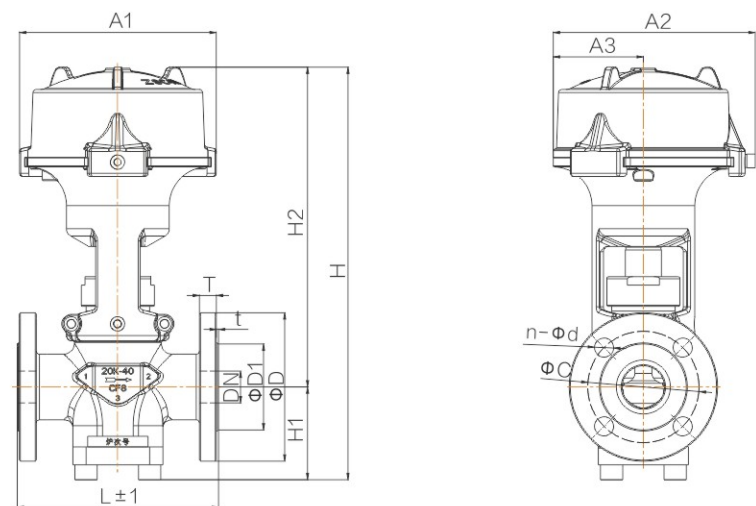
Z11系列三通切断阀
Z11 Series
Pneumatic Shut Off Valve



订货说明 Order Instruction



切断阀 Shut Off Valve

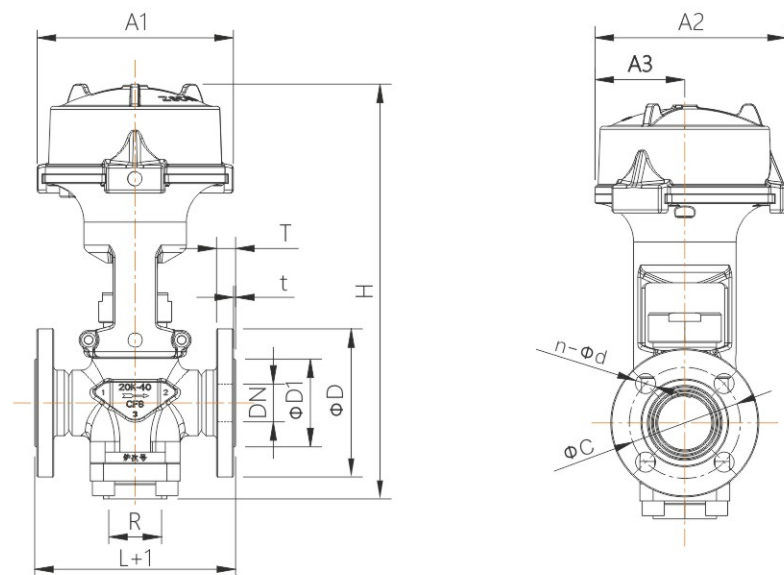


常闭，两通，法兰连接 Single Acting Normally Closed, 2-way, Flange JIS 20K

外形尺寸 Dimension

JIS 20K标准

规格 Size	L	H1	H2	H	D	D1	C	T	t	n-Ød	A1	A2	A3	
DN15	1/2"	146	44	164	208	95	51	70	14	1	4-15	106	100	42
DN20	3/4"	146	54	193	247	100	56	75	16	1	4-15	122	118	50
DN25	1"	167	67	233	300	125	67	90	16	1	4-19	152	147	64
DN40	1 1/2"	190	89	302	391	140	81	105	18	2	4-19	192	191	85

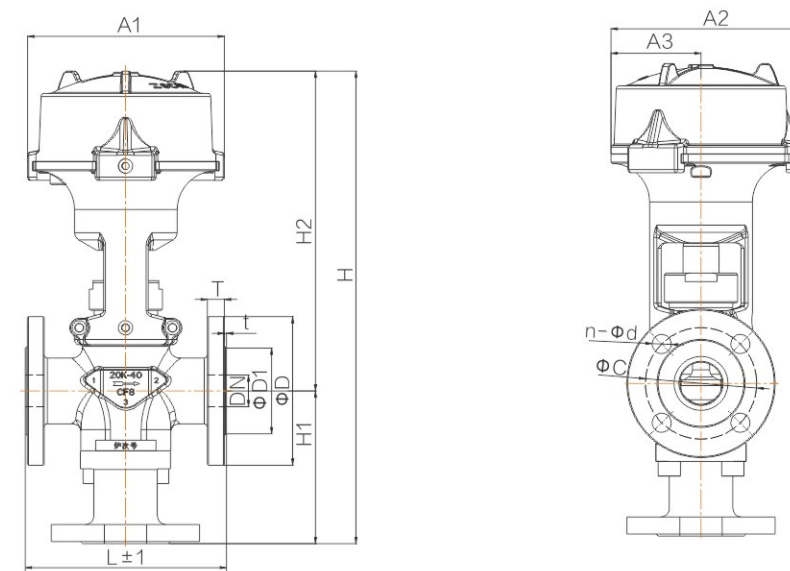


常闭，三通，水平端法兰连接，垂直端螺纹连接 Single Acting Normally Open, 2-way, Flange JIS 20K

外形尺寸 Dimension

JIS 20K标准

规格 Size	L	H1	H2	H	D	D1	C	T	t	n-Ød	A1	A2	A3	R	
DN15	1/2"	146	48	164	212	95	51	70	14	1	4-15	106	100	42	Rc1/2"
DN20	3/4"	146	66	193	259	100	56	75	16	1	4-15	122	118	50	Rc3/4"
DN25	1"	167	70	233	303	125	67	90	16	1	4-19	152	147	64	Rc1"
DN40	1 1/2"	190	92	302	394	140	81	105	18	2	4-19	192	191	85	Rc1 1/2"

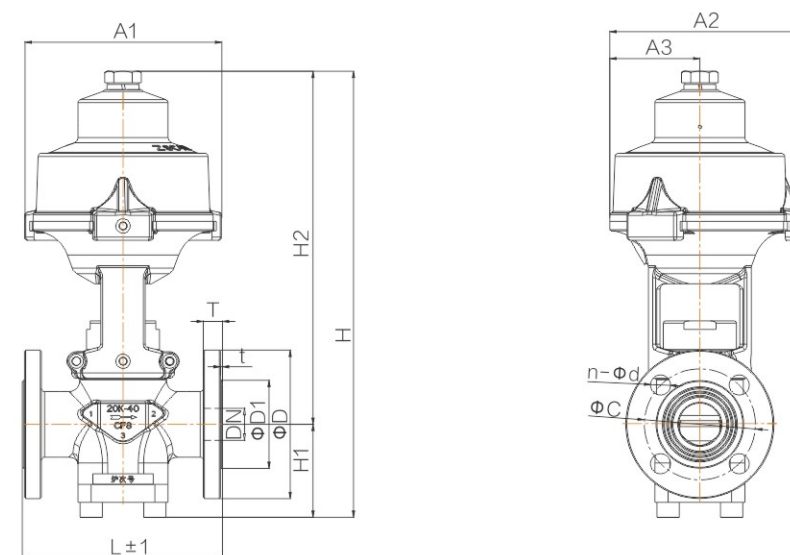


常闭，三通，三端法兰连接 Single Acting Normally Closed, 3-way, Flange JIS 20K

外形尺寸 Dimension

JIS 20K标准

规格 Size	L	H1	H2	H	D	D1	C	T	t	n-Ød	A1	A2	A3	
DN15	1/2"	146	85	164	249	95	51	70	14	1	4-15	106	100	42
DN20	3/4"	146	100	193	293	100	56	75	16	1	4-15	122	118	50
DN25	1"	167	115	233	348	125	67	90	16	1	4-19	152	147	64
DN40	1 1/2"	190	145	302	447	140	81	105	18	2	4-19	192	191	85



常开，两通，法兰连接 Single Acting Normally Open, 3-way, Flange JIS 20K

外形尺寸 Dimension

JIS 20K标准

规格 Size	L	H1	H2	H	D	D1	C	T	t	n-Ød	A1	A2	A3	
DN20	3/4"	146	54	223	277	100	56	75	16	1	4-15	122	118	50
DN25	1"	167	67	250	317	125	67	90	16	1	4-19	152	147	64
DN40	1 1/2"	190	89	333	422	140	81	105	18	2	4-19	192	191	85

调节阀 Regulating Valve

Z13系列薄膜调节阀
Z13 series
Pneumatic Regulating Valve



技术参数

- 工作压力: 0-17bar (0-246.5psi)
- 介质温度: 最高210°C
- 控制压力: 0.2-1bar (2.9-14.5psi)
- 阀体材质: CF8
- 适用介质: 高温蒸汽、过热水、氮气、压缩空气
- 法兰标准: JIS 20K
(*可定制ASME CLASS300, DIN PN40, GB PN40)

Technical Specification

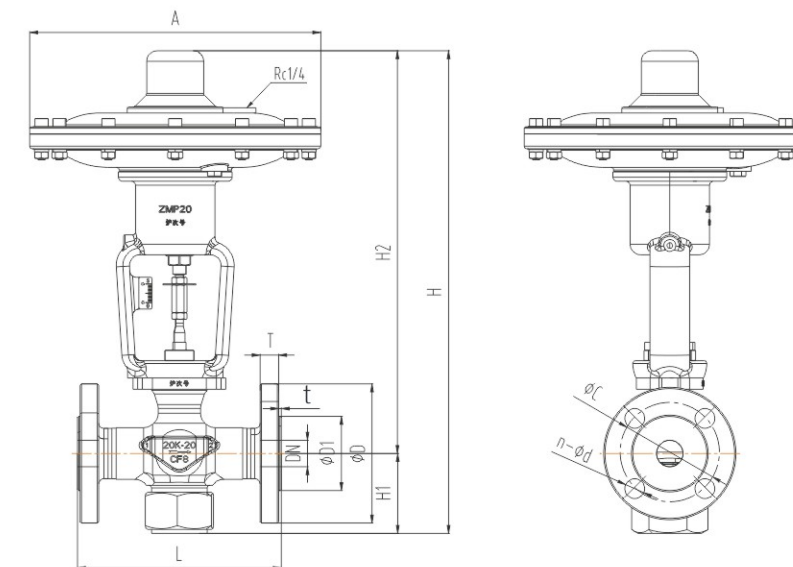
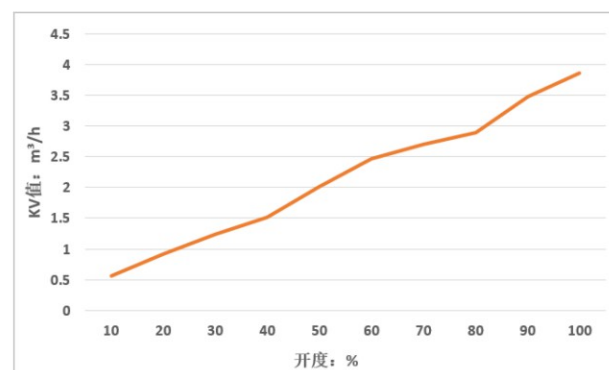
- Operating pressure: 0-17bar (0-246.5psi)
- Fluid temperature: Max. 210°C
- Control pressure: 0.2-1bar (2.9-14.5psi)
- Body material: CF8
- Application fluid: Steam, super hot water, nitrogen, compressed air
- Connection type: Flange JIS 20K
(ASME CLASS300, DIN PN40, GB PN40 customization available)

概述 Description

这是一款带有膜片驱动的调节阀，根据控制信号控制阀杆行程，灵敏精确地实现对温度、压力和流量的调节，性能优良。广泛用于轮胎硫化中的定型工艺。

This is a regulating valve with diaphragm design. It has excellent control performance and can guarantee accurate flow control. It's widely used in tire production for shaping process.

流量曲线图 Flow Curve Chart



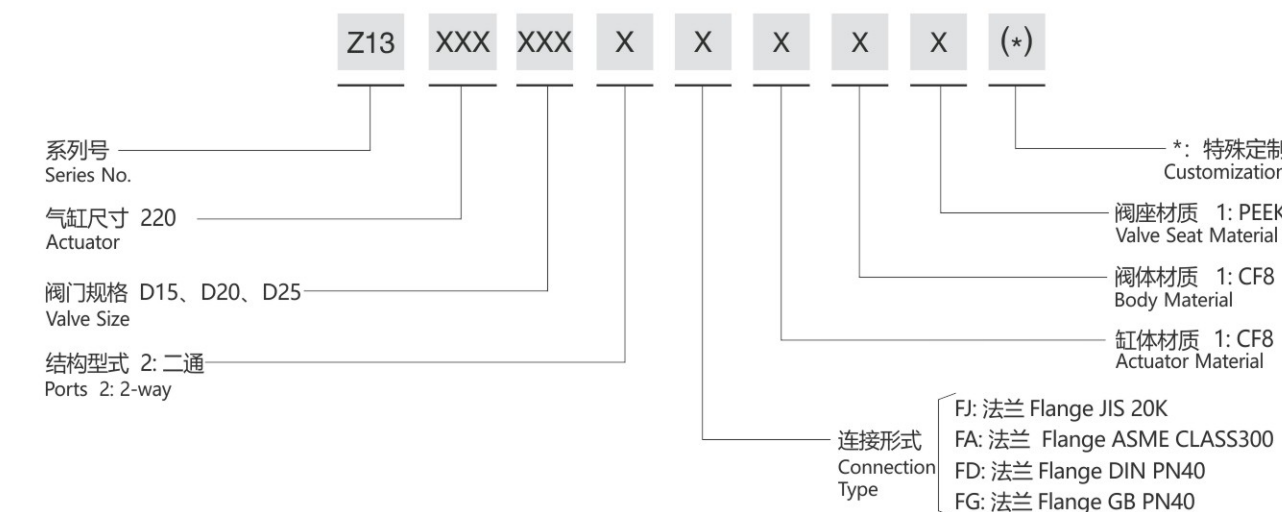
常闭, 2通, 法兰连接 Normally Closed, 2-way, Flange JIS 20K

外形尺寸 Dimension

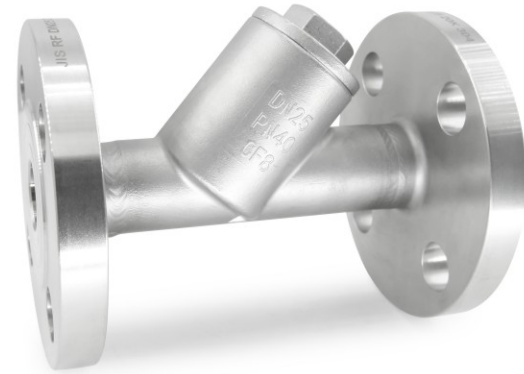
JIS 20K标准

规格 Size	L	H1	H2	H	D	D1	C	T	t	n-φd	A	
DN15	1/2"	154	60	306	358.5	95	51	70	14	1	4-15	220
DN20	3/4"	154	60	306	358.5	100	56	75	16	1	4-15	220
DN25	1"	164	65	310	358.5	125	67	90	16	1	4-19	220

订货说明 Order Instruction



510系列止回阀
510 Series Check Valve



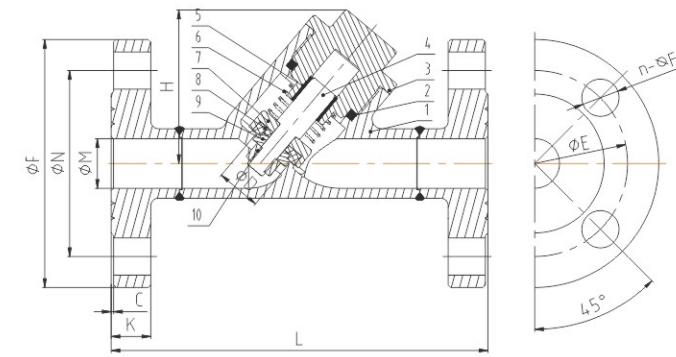
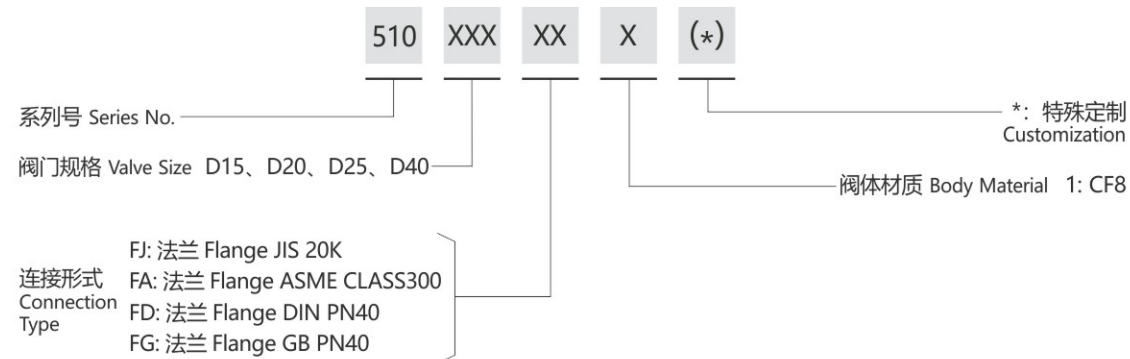
技术参数

- 公称压力: PN40
- 阀体材质: CF8
- 介质温度: -30°C—+220°C
- 连接形式: 法兰式
- 法兰标准: JIS 20K
(*可定制ASME CLASS300, DIN PN40, GB PN40)

Technical Specification

- Operating pressure: PN40
- Body material: CF8
- Fluid temperature: -30°C—+220°C
- Connection type: Flange JIS 20K
(ASME CLASS300, DIN PN40, GB PN40 Customization available)

订货说明 Order Instruction



外形尺寸图 (法兰式JIS 20K) Main Dimension (Flange Connection JIS 20K)

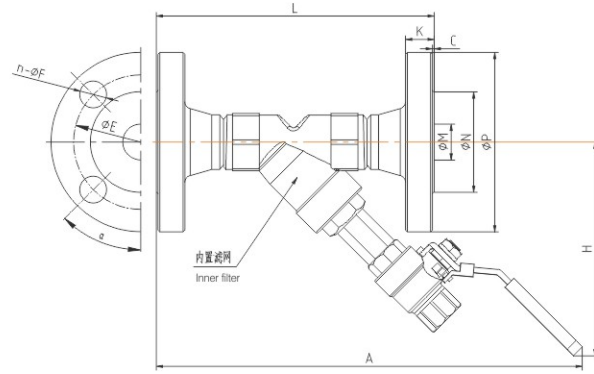
规格Size	DN15	DN20	DN25	DN40
L	146	152	165	190
H	60	62	73	116.5
φD	16	18	22	35
C	1	1	1	2
K	14	16	16	18
φE	70	75	90	105
n-φF	4-15	4-15	4-19	4-19
φm	15	20	25	40
φN	51	56	67	81
φP	95	100	125	140
α	45°	45°	45°	45°

零件清单 Part List

序号 No.	名称 Part	材质 Material
1	阀体 Body	CF8
2	阀体密封垫 Body Seal	复合型石墨 With Graphite
3	阀盖 Bonnet	CF8
4	阀杆 Stem	304
5	轴承 Bearing	锡青铜 Tin Bronze + PTFE
6	弹簧 Spring	304
7	阀芯 Core	304
8	阀芯密封垫 Seat	PTFE
9	阀芯垫片 Gasket	304
10	自锁紧螺母 Self-Locking Nut	304

过滤排污阀 Filter Discharge Valve

605系列过滤排污阀
605 Series Filter Discharge Valve



技术参数 Technical Specification

- 公称压力: PN40
- 阀体材质: CF8
- 介质温度: -30°C—+220°C
- 连接形式: 法兰式
- 法兰标准: JIS 20K
(*可定制ASME CLASS 300, DIN PN40, GB PN40)

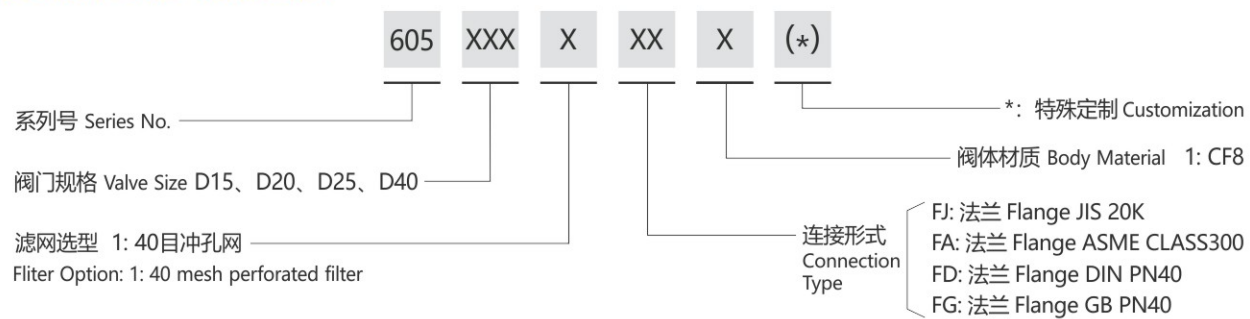
Technical Specification

- Operating pressure: PN40
- Body material: CF8
- Fluid temperature: -30°C—+220°C
- Connection type: Flange JIS 20K
(ASME CLASS300, DIN PN40, GB PN40 Customization available)

外形尺寸图 Dimension

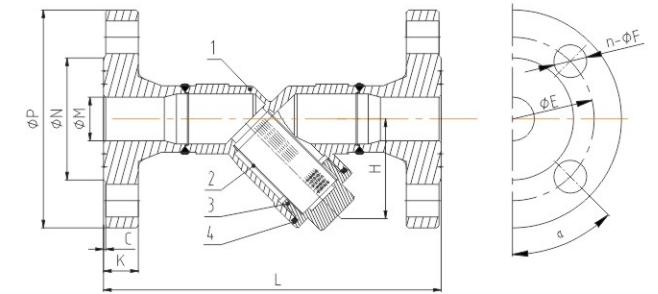
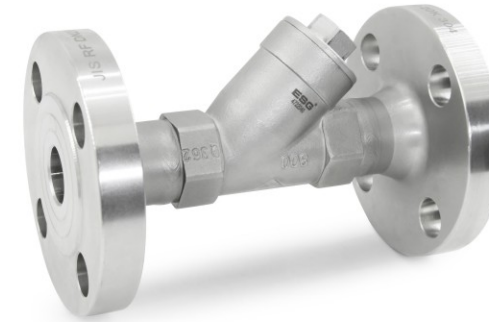
规格 Size	DN15	DN20	DN25	DN40
L	145	155	155	200
H	169	174.5	188.5	199
A	174.5	183.5	184.5	222.5
C	1	1	1	2
K	14	16	16	18
φE	70	75	90	105
n-φF	4-15	4-15	4-19	4-19
φM	15	20	25	40
φN	51	56	67	81
φP	95	100	125	140
α	45°	45°	45°	45°

订货说明 Order Instruction



过滤器 Strainer

606系列过滤器
606 Series Strainer



技术参数 Technical Specification

- 公称压力: PN40
- 阀体材质: CF8
- 介质温度: -30°C—+220°C
- 连接形式: 法兰式
- 法兰标准: JIS 20K
(*可定制ASME CLASS 300, DIN PN40, GB PN40)

Technical Specification

- Operating pressure: PN40
- Body material: CF8
- Fluid temperature: -30°C—+220°C
- Connection type: Flange JIS 20K
(ASME CLASS300, DIN PN40, GB PN40 Customization available)

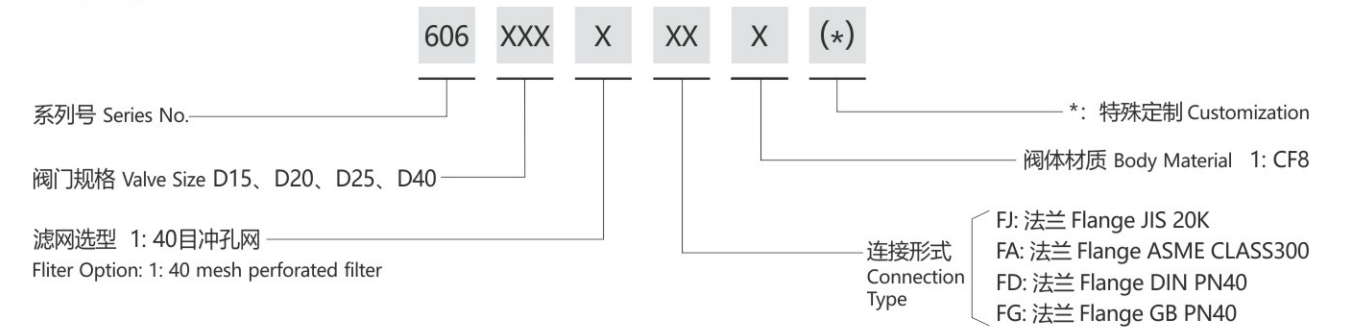
外形尺寸图 Dimension

规格Size	DN15	DN20	DN25	DN40
L	145	155	155	200
H	38.5	44	54	66
C	1	1	1	2
K	14	16	16	18
φE	70	75	90	105
n-φF	4-15	4-15	4-19	4-19
φM	15	20	25	40
φN	51	56	67	81
φP	95	100	125	140
α	45°	45°	45°	45°

零件清单 Part List

序号 No.	名称 Part	材质 Material
1	阀体 Body	CF8
2	滤网 Filter	304
3	阀盖密封垫 Gasket	复合型石墨 With Graphite
4	阀盖 Cover	CF8

订货说明 Order Instruction



集成阀组 Integrated Valve Bank

ESG硫化机热工阀组是轮胎硫化机的重要组成部分，其能实现轮胎硫化过程中对温度、压力及时间的有效控制。适用于蒸汽、氮气、过热水等高温环境，广泛应用于橡胶及轮胎等产品制造的自动化控制系统。

目前，传统的热工阀组是通过法兰及碳钢管的焊接完成，阀组存在占地面积大，泄露点多，保温效果差及维修不方便等缺点。

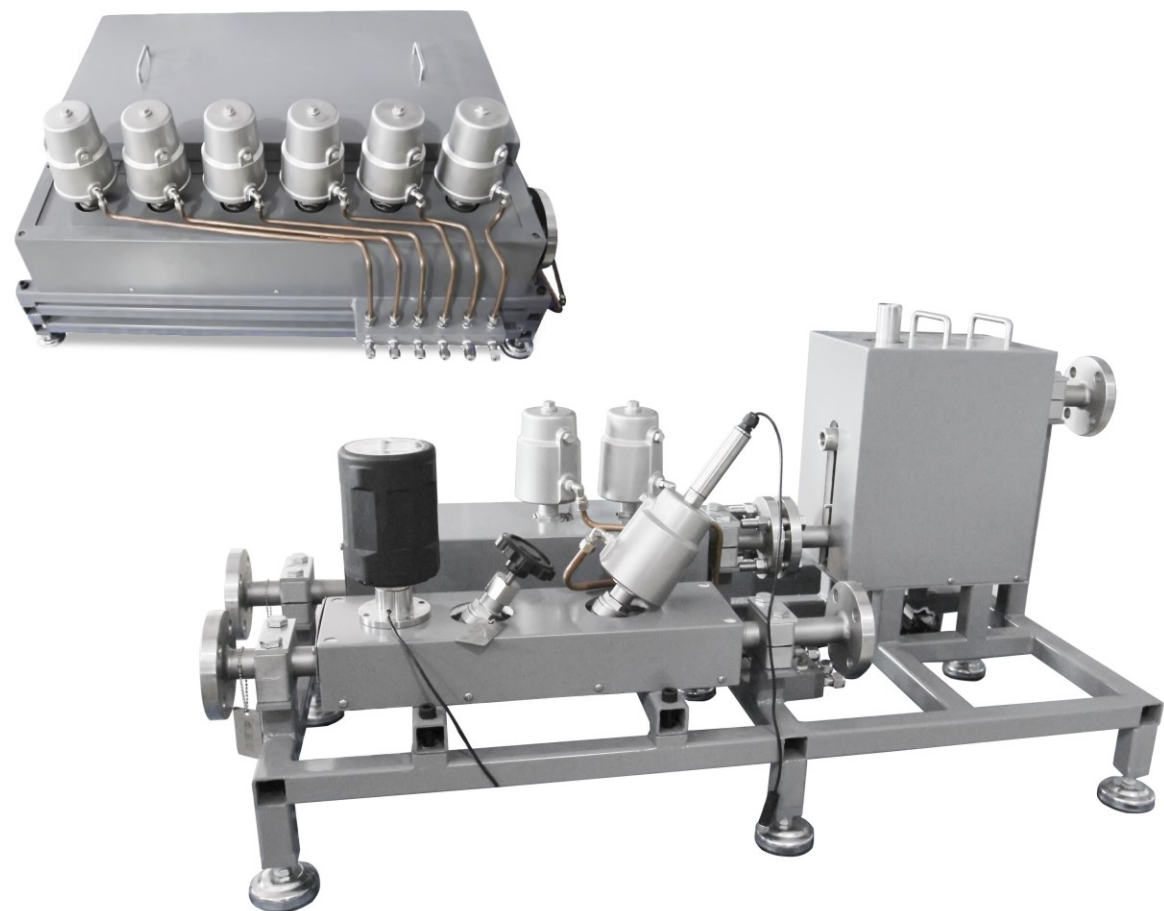
ESG新型硫化机阀组将分散阀组进行整体集成化，体积更加紧凑，介质流量更大，提高了工作效率；集成阀组工作压力高，控制压力低，可以有效的节约能源。集成阀组具有使用成本低，使用寿命长的显著特点。

ESG Integrated valve bank is an important part of the Tire Curing Press, which can realize the effective control of temperature, pressure and time in the process of tire vulcanization, and is suitable for high temperature environment such as steam, nitrogen and superheated water. It is also widely used in automatic control systems for rubber and tire manufacturing.

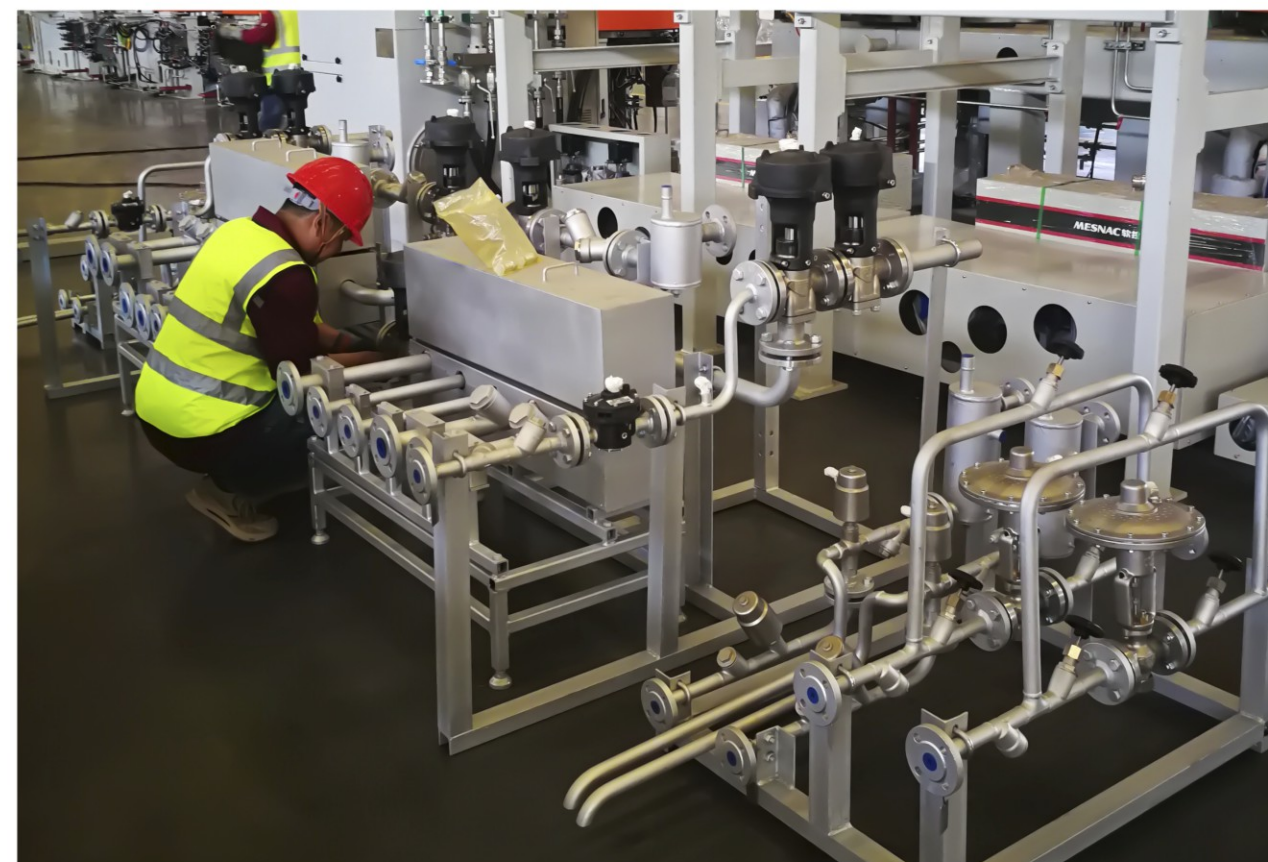
At present, the traditional thermal valve groups are completed by welding flanges and carbon steel pipes, which has shortcomings such as large floor area, multiple leakage points, poor insulation and inconvenient maintenance.

ESG new integrated valve bank for curing press is a holistic solution that integrates the dispersed valves as a whole, has a more compact volume, large media flow, and improves work efficiency. The integrated valve bank has high working pressure and low control pressure, which can effectively save energy. It also has the significant characteristics of low operating cost and long service life.

空气弹簧硫化机集成阀组 Integrated Valve Bank For Air Spring Curing Press



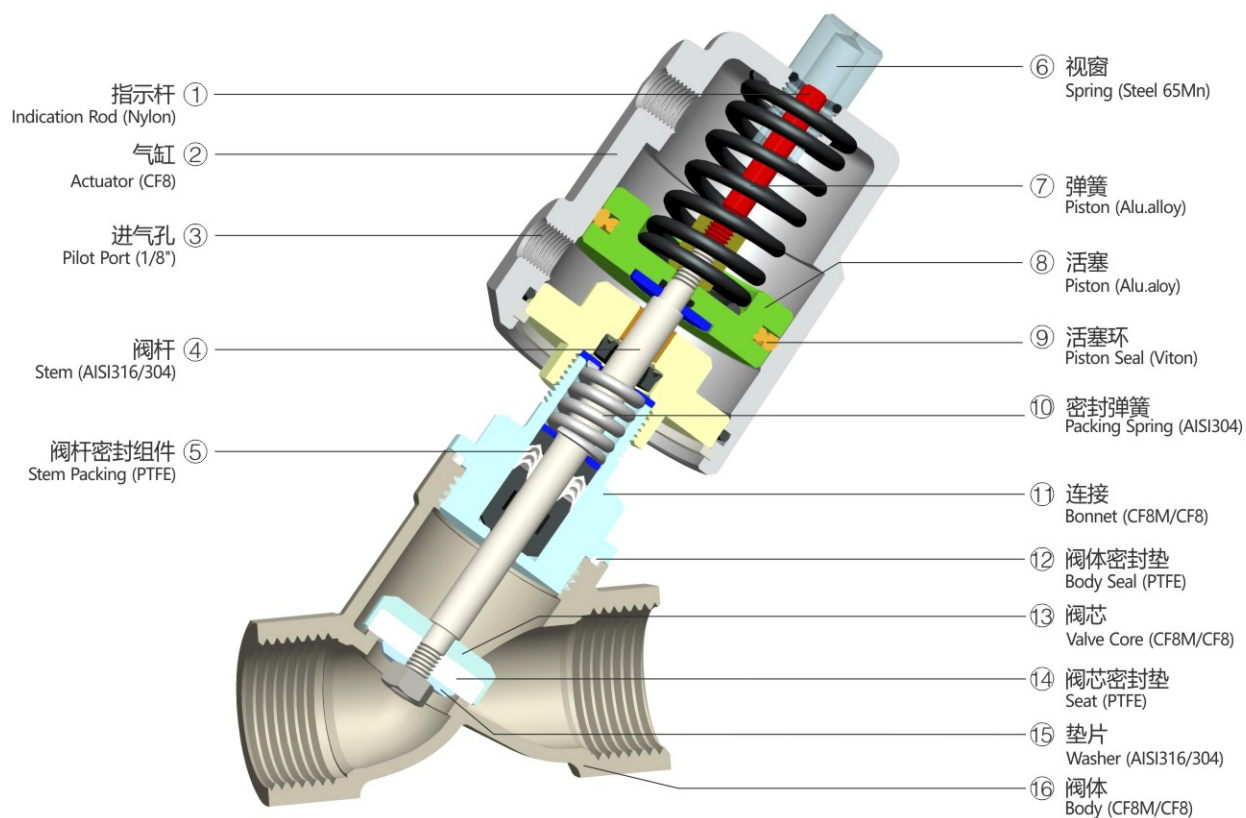
65寸硫化机热工阀组 Integrated valve bank for 65" curing press



核心优势 Core Advantages

- 01 集成度高，节约空间；铸造工艺，成本低
High integration, space saving; Casting process, low cost
- 02 流量大，缩短非硫化时间，提高硫化效率
Large circulation, shorten non-curing time, improve curing efficiency
- 03 插装式设计，通道清晰明了，便于安装、检修和维护
Plug-in design, clear channel, easy to install, repair and maintenance
- 04 阀门开启力小，节能降本，反应速度快
The valve opening force is small, energy saving and cost saving, and the reaction speed is fast

Y型角座阀 Y-type Angle Seat Valve

100系列螺纹式气控角座阀
100 Series
Threaded Angle Seat Valve100系列焊接式气控角座阀
100 Series
Welded Angle Seat Valve100系列快装式气控角座阀
100 Series
Tri-clamp Angle Seat Valve100系列(圆口)法兰式气控角座阀
100 Series Flanged
Angle Seat Valve with Round Bonnet100系列(方口)法兰式气控角座阀
100 Series Flanged
Angle Seat Valve with Square Bonnet

技术参数

- 工作压力: 0-16bar (0-232psi)
- 控制压力: 3-8bar (43.5-116psi)
- 控制介质: 洁净的压缩空气或中性气体
- 阀体材质: CF8/CF8M/CF3M及其他特殊材质
- 密封材质: PTFE
- 气缸材质: CF8 (40mm-90mm气缸)、AL (125mm气缸)
- 气缸尺寸: 40mm, 50mm, 63mm, 90mm, 125mm
- 适用介质: 水, 酒精, 油, 燃料, 蒸汽, 中性气体或液体, 有机溶剂, 酸碱溶液
- 介质粘度: Max 600mm²/s
- 介质温度: -10°C — +180°C (PTFE常温型)
+25°C — +220°C (PTFE高温型)
- 环境温度: -10°C — +80°C
- 控制形式: 单作用常闭, 常开, 双作用常闭, 双作用自由态
- 连接形式: 螺纹式, 焊接式, 法兰式, 快装式
- 泄漏等级: DIN EN 12266 A级

工作原理 Function Principle

在非工作状态时, 由于弹簧力作用, 阀门常闭(开)。当执行器活塞被压缩气体作用时, 阀门打开(关闭)。双作用形式靠压缩气体控制阀门开关。

Valve stays closed(open) by spring force in its normal state. When piston is actuated by compressed air, valve becomes opened (closed). For double acting type, valve is opened and closed by compressed air.

应用范围 Applications

- 啤酒饮料 Brewery
- 印染 Textile dyeing
- 空分 Air separation
- 制药 Pharmaceutical
- 灌装 Filling machines
- 化工 Chemical
- 灭菌 Sterilization
- 泡塑 EPS molding
- 环保 Environmental equipments
- 其它 Others

Technical Specification

- Operating pressure: 0-16bar (0-232psi)
- Control pressure: 3-8bar (43.5-116psi)
- Control fluid: Neutral gas, Air
- Body material: CF8/CF8M/CF3M
- Seal material: PTFE
- Actuator material: CF8 (40mm-90mm Actuator), AL (125mm Actuator)
- Actuator size: 40mm, 50mm, 63mm, 90mm, 125mm
- Applicable fluid: Water, Alcohol, Oil, Fuel, Steam, Neutral gas or Liquid, Organic solvent, Acid and lye
- Fluid viscosity: Max 600mm²/s
- Fluid temperature: -10°C — +180°C, +25°C — +220°C
- Ambient temperature: -10°C — +80°C
- Control type: Normally closed, Normally open, Double acting normally closed, Double acting without spring
- Connection type: Threaded, Welded, Flanged, Tri-clamp
- Leakage class: DIN EN 12266 Class A

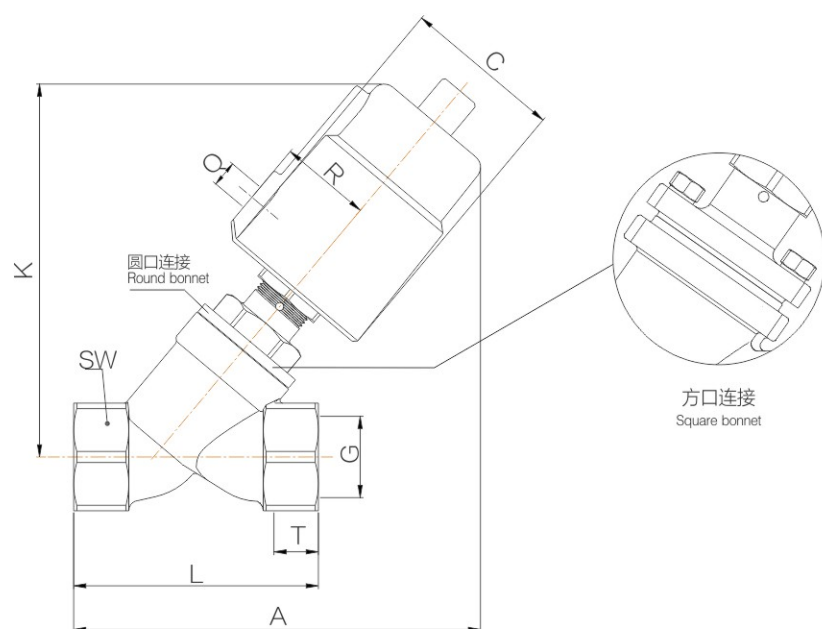
特点

- 流量大、流阻小、无水锤;
- Y型设计, 增加30%流量;
- 超长使用寿命;
- 阀杆自动校正, 自润滑;
- 气缸采用不锈钢材质, 在恶劣的环境中更加优秀, 可360°旋转。

Advantages

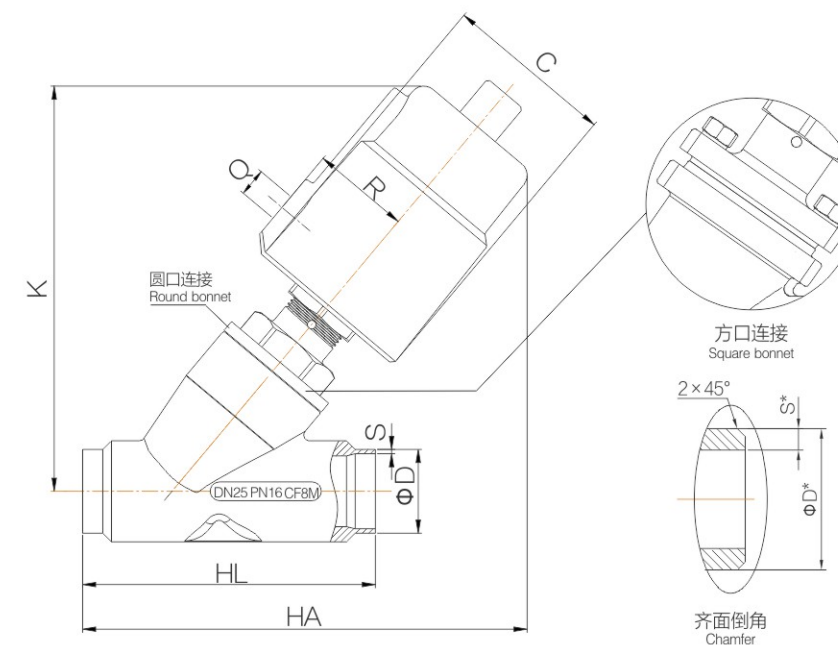
- Large flux, low resistance, prevent water-hammer.
- Y-type raises flux by 30% and make flow more smooth.
- Long working life.
- The stem adjusts and lubricates itself automatically, minimizing needs for maintance.
- The stainless steel actuator can be rotated 360° for flexible uses.

Y型角座阀 Y-type Angle Seat Valve



外形尺寸(螺纹式) Main Dimension (Threaded Connection)

规格 Size	执行器 Actuator (mm)	Q	C	R	K	G	T	A	L	SW
DN8	40	1/8"	50.5	27	112	1/4"	12	124	68	27
	50	1/8"	60	33	125			135		
DN10	40	1/8"	50.5	27	112	3/8"	12	124	68	27
	50	1/8"	60	33	125			135		
DN15	40	1/8"	50.5	27	112	1/2"	15	124	68	27
	50	1/8"	60	33	125			135		
DN20	50	1/8"	60	33	132	3/4"	16	140	75	32
	50	1/8"	60	33	136			150		
DN25	63	1/8"	75	41	162	1"	17	172	90	40
	63	1/8"	75	41	174			190		
DN32	90	1/8"	106	55	223	1 1/4"	21	235	116	50
	63	1/8"	75	41	175			190		
DN40	90	1/8"	106	55	223	1 1/2"	21	235	116	56
	63	1/8"	75	41	183			205		
DN50	90	1/8"	106	55	232	2"	22	250	138	69
	125AL	1/4"	170	85	300			305		
	90	1/8"	106	55	280			275		
DN65方口 Square bonnet	125AL	1/4"	170	85	330	2 1/2"	26	320	178	85
	125AL	1/4"	170	85	355			340		
DN80方口 Square bonnet	125AL	1/4"	170	85	355	3"	27	340	210	100



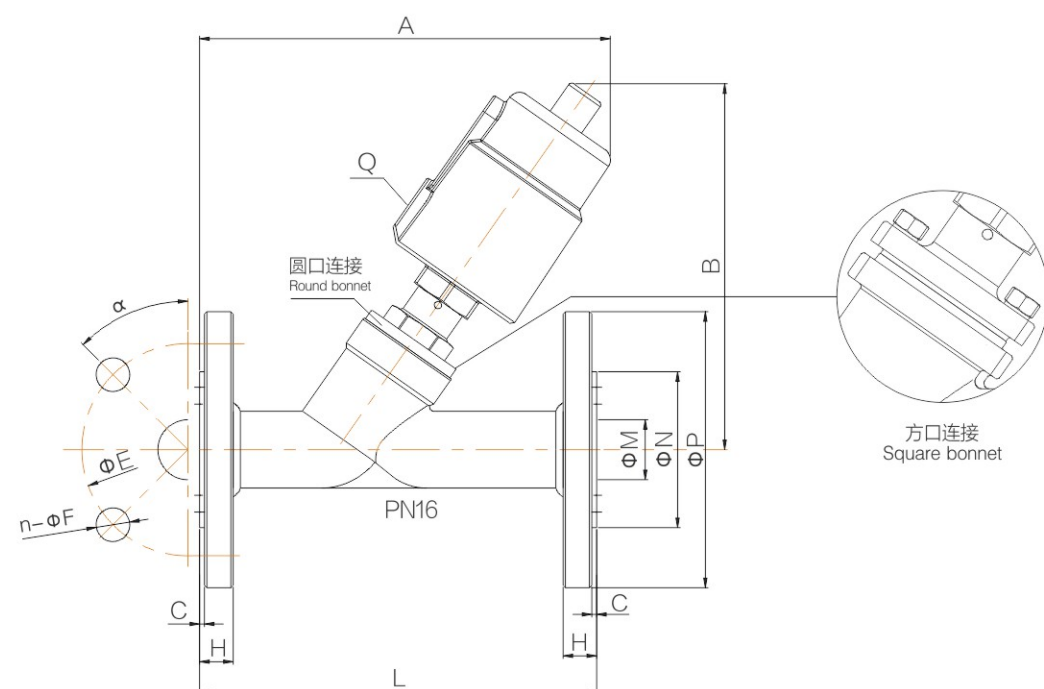
外形尺寸(焊接式) Main Dimension (Welded Connection)

规格 Size	执行器 Actuator (mm)	Q	C	R	K	HA	HL	齐面倒角 Chamfer		DIN11850-2		DIN11850-3	
								ΦD*	S*	ΦD	S	ΦD	S
DN15	40	1/8"	50.5	27	112	118	70	22	3.5	19	1.5	20	2
	50	1/8"	60	33	125	128							
DN20	50	1/8"	60	33	132	135	82	29	5	23	1.5	24	2
	50	1/8"	60	33	136	150							
DN25	63	1/8"	75	41	162	175	100	35	5	29	1.5	30	2
	63	1/8"	75	41	174	186							
DN32	90	1/8"	106	55	223	232	125	39	4	35	1.5	36	2
	63	1/8"	75	41	175	190							
DN40	90	1/8"	106	55	223	235	130	45	4.5	41	1.5	42	2
	63	1/8"	75	41	183	206							
DN50	90	1/8"	106	55	232	250	155	57	4	53	1.5	54	2
	125AL	1/4"	170	85	300	307							
	90	1/8"	106	55	280	320							
DN65方口 Square bonnet	125AL	1/4"	170	85	330	360	270	75	5	70	2	-	-
125AL	1/4"	170	85	355	360	284						90	5.5

注: *标识的尺寸为毛坯设计尺寸(实际尺寸可能有偏差, 仅供参考)

Note: * designates design dimension (the actual dimension may vary)

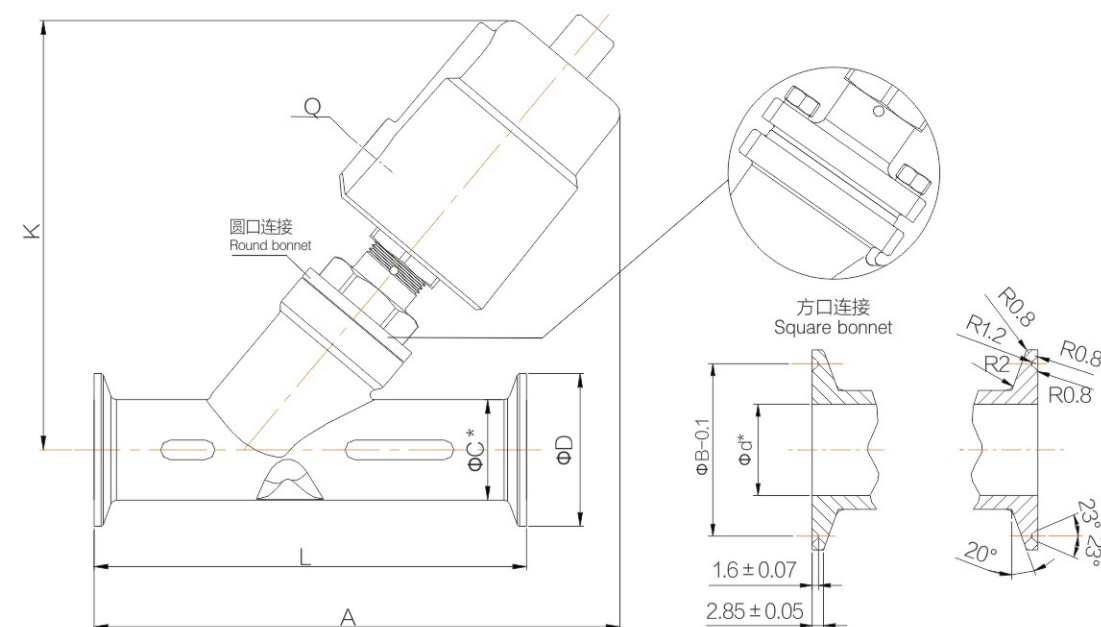
Y型角座阀 Y-type Angle Seat Valve



法兰标准: JB/T82.1 (通用标准DIN2543/DIN2576/EN1092-1/HG20592); 可根据客户要求定制, ISO/DIN/JIS等标准
Flange specification: DIN2543/DIN2576/EN1092-1/HG20592; ISO/ANSI/DIN/JIS customization available.

外形尺寸(法兰式) Main Dimension (Flange Connection)

规格 Size	执行器 Actuator (mm)	Q	A	B	L	C	H	ΦE	n-ΦF	ΦM	ΦN	ΦP	α
DN15	40	1/8"	135	125	130	2	14	65	4-14	16	45	95	45°
	50		145	140									
DN20	50	1/8"	165	140	150	2	14	75	4-14	19	56	105	45°
	50		170	145									
DN25	63	1/8"	190	175	160	2	14	85	4-14	26	65	115	45°
	63		190	175									
DN32	63	1/8"	190	188	180	2	16	100	4-18	31	78	140	45°
	90		230	235									
DN40	63	1/8"	206	190	200	3	16	110	4-18	38	84	150	45°
	90		250	240									
DN50	63	1/8"	235	195	230	3	16	125	4-18	54	100	165	45°
	90		277	245									
	125AL		330	310									
DN65方口 Square bonnet	90	1/8"	330	280	290	3	18	145	4-18	71	120	185	45°
	125AL	1/4"	375	330									
DN80方口 Square bonnet	125AL	1/4"	380	355	310	3	20	160	8-18	84	135	200	22.5°
DN100方口 Square bonnet	125AL	1/4"	420	395	350	3	20	180	8-18	96	155	215	22.5°



快装接头标准: ISO 2852; 可根据客户要求定制
Clamp Specification: ISO 2852; customization available.

外形尺寸(快装式) Main Dimension (Tri-clamp Connection)

规格 Size	执行器 Actuator (mm)	Q	A	K	L	ΦC*	ΦB	Φd*	ΦD
DN15	40	1/8"	130	115	80	20.5	27.5	15	34
	50	1/8"	140	126					
DN20	50	1/8"	158	148	130	25	43.5	19	50.5
	50	1/8"	165	140					
DN25	63	1/8"	188	166	130	33	43.5	27	50.5
	63	1/8"	188	166					
DN32	63	1/8"	200	174	146	37	43.5	31	50.5
	90	1/8"	245	223					
DN40	63	1/8"	210	175	160	40	56.5	34	64
	90	1/8"	255	223					
DN50	63	1/8"	221	185	175	53	56.5	45	64
	90	1/8"	265	235					
	125AL	1/4"	325	296					
DN65方口 Square bonnet	90	1/8"	325	280	278	75	83.5	65	91
	125AL	1/4"	360	330					
DN80方口 Square bonnet	125AL	1/4"	360	352	290	89	89.5	78.5	106

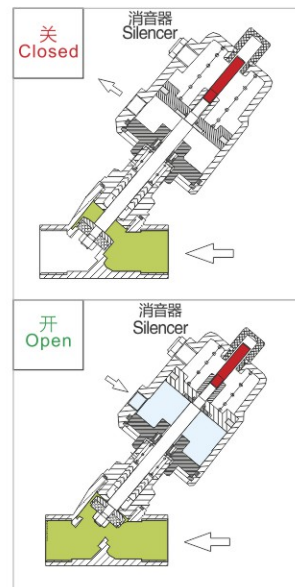
注: *标识的尺寸为毛坯设计尺寸(实际尺寸可能有偏差, 仅供参考)

Note: * designates design dimension (the actual dimension may vary)

Y型角座阀 Y-type Angle Seat Valve

单作用常闭——正向/阀座上流 Single Acting, Normally Closed (NC)-Enter Above Seat

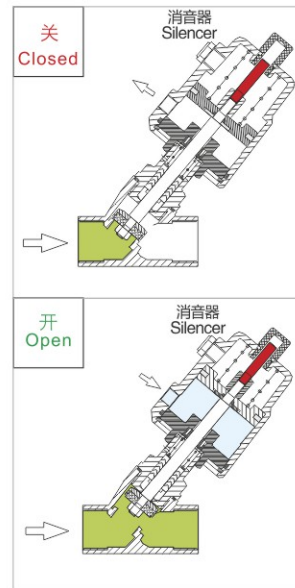
规格 Size	接口 Thread end	内孔 Orifice (mm)	流量值 Flow value Kv(m ³ /h)	执行器 Actuator (mm)	压差范围 Differential pressure range P(MPa)	控制压力 Control pressure (MPa)
DN8	G1/4"	9.5	1.8	28	0-1.0	0.5-0.7
		13	2.2	40	0-1.6	0.4-0.45
DN10	G3/8"	9.5	2.2	28	0-1.0	0.5-0.7
		13	3.9	40	0-1.6	0.4-0.45
DN15	G1/2"	9.5	2.2	28	0-1.0	0.5-0.7
		13	4.3	40	0-1.6	0.4-0.45
DN20	G3/4"	18	7.6	50	0-1.6	0.35-0.5
DN25	G1"	24	15.8	50	0-1.6	0.35-0.55
DN32	G1 1/4"	31	26.0	63	0-1.6	0.3-0.4
				90	0-1.6	0.3-0.35
DN40	G1 1/2"	35	32.0	63	0-1.6	0.3-0.7
				90	0-1.6	0.3-0.4
DN50	G2"	45	52.0	63	0-0.9	0.3-0.7
				90	0-1.6	0.3-0.45
				125	0-1.6	0.3-0.4
DN65	G2 1/2"	61	83.2	90	0-1.0	0.3-0.6
DN80	G3"	80	119	125	0-1.6	0.3-0.4
DN80	G3"	80	119	125	0-1.2	0.3-0.7



单作用常闭——反向/阀座下流(防水锤)

Single Acting, Normally Closed (NC)-Enter Below Seat (Minimize water-hammer)

规格 Size	接口 Thread end	内孔 Orifice (mm)	流量值 Flow value Kv(m ³ /h)	执行器 Actuator (mm)	压差范围 Differential pressure range P(MPa)	控制压力 Control pressure (MPa)
DN8	G1/4"	9.5	1.8	28-A	0-1.0	≥0.5
		13	2.2	40-A	0-1.3	≥0.4
DN10	G3/8"	9.5	2.2	50-A	0-1.4	≥0.45
		13	3.9	28-A	0-1.0	≥0.5
DN15	G1/2"	9.5	2.2	40-A	0-1.3	≥0.4
		13	4.3	50-A	0-1.4	≥0.45
DN20	G3/4"	18	7.6	50-A	0-1.4	≥0.45
DN25	G1"	24	15.8	50-A	0-0.8	≥0.45
				63-A	0-1.3	≥0.5
DN32	G1 1/4"	31	26.0	63-B	0-0.8	≥0.3
				63-A	0-0.6	≥0.5
DN40	G1 1/2"	35	32.0	90-A	0-1.6	≥0.6
				90-B	0-1.1	≥0.45
DN50	G2"	45	52.0	63-A	0-0.5	≥0.5
				90-A	0-1.6	≥0.6
				90-B	0-0.7	≥0.45
DN65	G2 1/2"	61	83.2	125-A	0-1.6	≥0.55
				125-B	0-1.1	≥0.45
				90-A	0-0.5	≥0.6
				90-B	0-0.2	≥0.45
DN80	G3"	80	119	125-A	0-0.9	≥0.55
				125-B	0-0.6	≥0.45
				125-D	0-0.5	≥0.35
				125-A	0-0.5	≥0.55
DN100	G4"	90	132	125-B	0-0.3	≥0.45
				125-C	0-0.2	≥0.4
				125-A	0-0.25	≥0.55

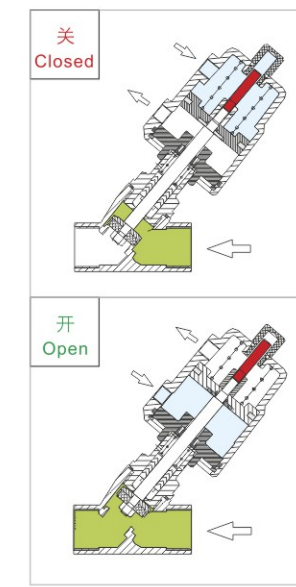


注: 为保证以上产品性能, 建议产品选型按≤90%压力范围中的最高值!

Note: In order to ensure product performance, it is recommended to select product according to the highest value in the ≤ 90% pressure range

双作用常闭——正向/阀座上流 Double Acting, Normally Closed (NC)-Enter Above Seat

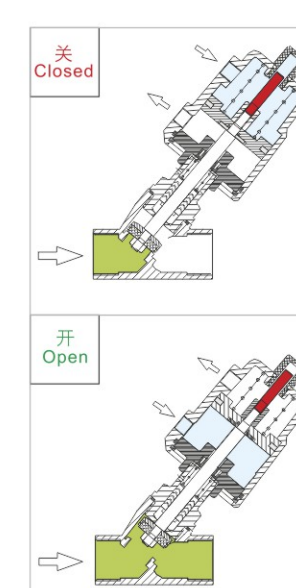
规格 Size	接口 Thread end	内孔 Orifice (mm)	流量值 Flow value Kv(m ³ /h)	执行器 Actuator (mm)	压差范围 Differential pressure range P(MPa)	控制压力 Control pressure (MPa)
DN8	G1/4"	13	2.2	40	0-1.6	0.4-0.45
				50	0-1.6	0.35-0.4
DN10	G3/8"	13	3.9	40	0-1.6	0.4-0.45
				50	0-1.6	0.35-0.4
DN15	G1/2"	13	4.3	40	0-1.6	0.4-0.45
				50	0-1.6	0.35-0.4
DN20	G3/4"	18	7.6	50	0-1.6	0.35-0.5
DN25	G1"	24	15.8	50	0-1.6	0.35-0.55
				63	0-1.6	0.3-0.4
DN32	G1 1/4"	31	26.0	63	0-1.6	0.3-0.55
				90	0-1.6	0.3-0.35
DN40	G1 1/2"	35	32.0	63	0-1.6	0.3-0.7
				90	0-1.6	0.3-0.4
DN50	G2"	45	52.0	63	0-0.9	0.3-0.7
				90	0-1.6	0.3-0.45
				125	0-1.6	0.3-0.4
DN65	G2 1/2"	61	83.2	90	0-1.0	0.3-0.6
DN80	G3"	80	119	125	0-1.6	0.3-0.4
				125	0-1.2	0.3-0.7



双作用常闭——反向/阀座下流(防水锤)

Double Acting, Normally Closed (NC)-Enter Below Seat (Minimize water-hammer)

规格 Size	接口 Thread end	内孔 Orifice (mm)	流量值 Flow value Kv(m ³ /h)	执行器 Actuator (mm)	压差范围 Differential pressure range P(MPa)	控制压力 Control pressure (MPa)
DN8	G1/4"	13	2.2	40	0-1.6	≥0.4
				50	0-1.6	≥0.35
DN10	G3/8"	13	3.9	40	0-1.6	≥0.4
				50	0-1.6	≥0.35
DN15	G1/2"	13	4.3	40	0-1.6	≥0.4
				50	0-1.6	≥0.35
DN20	G3/4"	18	7.6	50	0-1.6	≥0.35
DN25	G1"	24	15.8	50	0-1.3	0.3-0.6
				63	0-1.6	0.3-0.4
DN32	G1 1/4"	31	26.0	63	0-1.6	0.3-0.6
				90	0-1.6	0.3-0.4
DN40	G1 1/2"	35	32.0	63	0-1.6	0.3-0.7
				90	0-1.6	0.3-0.5
DN50	G2"	45	52.0	63	0-0.8	0.3-0.75
				90	0-1.6	0.3-0.6
				125	0-1.6	0.3-0.4
DN65	G2 1/2"	61	83.2	90	0-1.1	0.3-0.7
				125	0-1.6	0.3-0.55
DN80	G3"	80	119	125	0-1.6	0.3-0.7
DN100	G4"	90	132	125	0-1.2	0.4-0.6



注: 为保证以上产品性能, 建议产品选型按≤90%压力范围中的最高值!

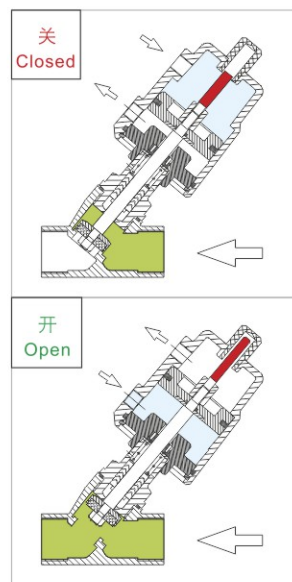
Note: In order to ensure product performance, it is recommended to select product according to the highest value in the ≤ 90% pressure range

Y型角座阀 Y-type Angle Seat Valve

双作用自由态——正向/阀座上流

Double Acting Without Spring—Enter Above Seat

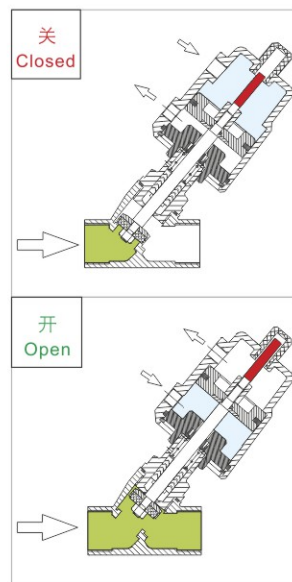
规格 Size	接口 Thread end	内孔 Orifice (mm)	流量值 Flow value Kv(m ³ /h)	执行器 Actuator (mm)	压差范围 Differential pressure range P(MPa)	控制压力 Control pressure (MPa)
DN8	G1/4"	13	2.2	40	0-1.6	0.3-0.45
				50	0-1.6	0.3-0.35
DN10	G3/8"	13	3.9	40	0-1.6	0.3-0.45
				50	0-1.6	0.3-0.35
DN15	G1/2"	13	4.3	40	0-1.6	0.3-0.45
				50	0-1.6	0.3-0.35
DN20	G3/4"	18	7.6	50	0-1.6	0.3-0.4
				50	0-1.6	0.3-0.4
DN25	G1"	24	15.8	50	0-1.6	0.3-0.45
				63	0-1.6	0.3-0.35
DN32	G1 1/4"	31	26.0	63	0-1.6	0.3-0.55
				90	0-1.6	0.3-0.4
DN40	G1 1/2"	35	32.0	63	0-1.6	0.3-0.65
				90	0-1.6	0.3-0.4
DN50	G2"	45	52.0	63	0-1.0	0.3-0.7
				90	0-1.6	0.3-0.45
DN65	G2 1/2"	61	83.2	125	0-1.6	0.3-0.4
				90	0-1.0	0.3-0.6
DN80	G3"	80	119	125	0-1.2	0.3-0.7



双作用自由态——反向/阀座下流(防水锤)

Double Acting Without Spring—Enter Below Seat (Minimize water-hammer)

规格 Size	接口 Thread end	内孔 Orifice (mm)	流量值 Flow value Kv(m ³ /h)	执行器 Actuator (mm)	压差范围 Differential pressure range P(MPa)	控制压力 Control pressure (MPa)
DN8	G1/4"	13	2.2	40	0-1.6	0.3-0.4
				50	0-1.6	0.3-0.4
DN10	G3/8"	13	3.9	40	0-1.6	0.3-0.4
				50	0-1.6	0.3-0.4
DN15	G1/2"	13	4.3	40	0-1.6	0.3-0.4
				50	0-1.6	0.3-0.4
DN20	G3/4"	18	7.6	50	0-1.6	0.3-0.4
				50	0-1.6	0.3-0.4
DN25	G1"	24	15.8	50	0-1.6	0.3-0.65
				63	0-1.6	0.3-0.55
DN32	G1 1/4"	31	26.0	63	0-1.6	0.3-0.7
				90	0-1.6	0.3-0.45
DN40	G1 1/2"	35	32.0	63	0-1.2	0.3-0.75
				90	0-1.6	0.3-0.5
DN50	G2"	45	52.0	63	0-0.4	0.3-0.75
				90	0-1.6	0.3-0.6
DN65	G2 1/2"	61	83.2	125	0-1.6	0.3-0.4
				90	0-1.0	0.3-0.75
DN80	G3"	80	119	125	0-1.0	0.3-0.7
DN100	G4"	90	132	125	0-0.8	0.3-0.75



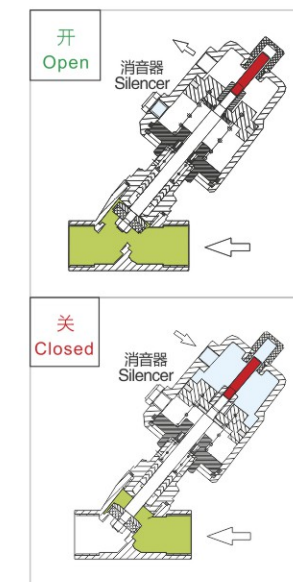
注：为保证以上产品性能，建议产品选型按≤90%压力范围中的最高值！

Note: In order to ensure product performance, it is recommended to select product according to the highest value in the ≤ 90% pressure range.

常开——正向/阀座上流

Normally Open(NO)—Enter Above Seat

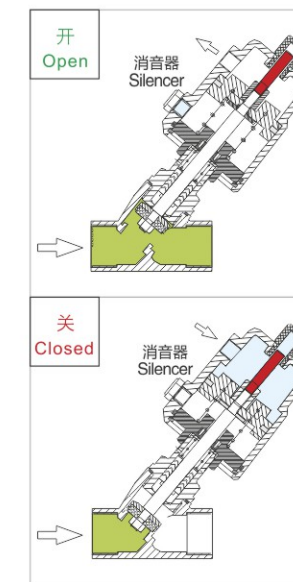
规格 Size	接口 Thread end	内孔 Orifice (mm)	流量值 Flow value Kv(m ³ /h)	执行器 Actuator (mm)	压差范围 Differential pressure range P(MPa)	控制压力 Control pressure (MPa)
DN8	G1/4"	13	2.2	40	0-1.6	≥0.3
				50	0-1.6	≥0.3
DN10	G3/8"	13	3.9	40	0-1.6	≥0.3
				50	0-1.6	≥0.3
DN15	G1/2"	13	4.3	40	0-1.6	≥0.3
				50	0-1.6	≥0.3
DN20	G3/4"	18	7.6	50	0-1.2	≥0.3
				50	0-1.6	≥0.3
DN25	G1"	24	15.8	50	0-0.3	≥0.3
				63	0-1.6	≥0.45
DN32	G1 1/4"	31	26.0	63	0-1.4	≥0.45
DN40	G1 1/2"	35	32.0	63	0-1.4	≥0.45
DN50	G2"	45	52.0	63	0-0.6	≥0.45



常开——反向/阀座下流(防水锤)

Normally Open(NO)—Enter Below Seat (Minimize water-hammer)

规格 Size	接口 Thread end	内孔 Orifice (mm)	流量值 Flow value Kv(m ³ /h)	执行器 Actuator (mm)	压差范围 Differential pressure range P(MPa)	控制压力 Control pressure (MPa)
DN8	G1/4"	13	2.2	40	0-1.6	0.3-0.5
				50	0-1.6	0.3-0.4
DN10	G3/8"	13	3.9	40	0-1.6	0.3-0.5
				50	0-1.6	0.3-0.4
DN15	G1/2"	13	4.3	40	0-1.6	0.3-0.5
				50	0-1.6	0.3-0.4
DN20	G3/4"	18	7.6	50	0-1.6	0.3-0.6
				50	0-1.6	0.3-0.6
DN25	G1"	24	15.8	50	0-1.3	0.3-0.6
				63	0-1.6	0.3-0.5
DN32	G1 1/4"	31	26.0	63	0-1.3	0.3-0.6
				90	0-1.6	0.3-0.45
DN40	G1 1/2"	35	32.0	63	0-0.7	0.3-0.6
				90	0-1.6	0.3-0.45
DN50	G2"	45	52.0	63	0-0.5	0.3-0.6
				90	0-1.2	0.3-0.6
DN65	G2 1/2"	61	83.2	90	0-0.75	0.3-0.6
				125	0-1.4	0.3-0.7
DN80	G3"	80	119	125	0-1.2	0.3-0.7

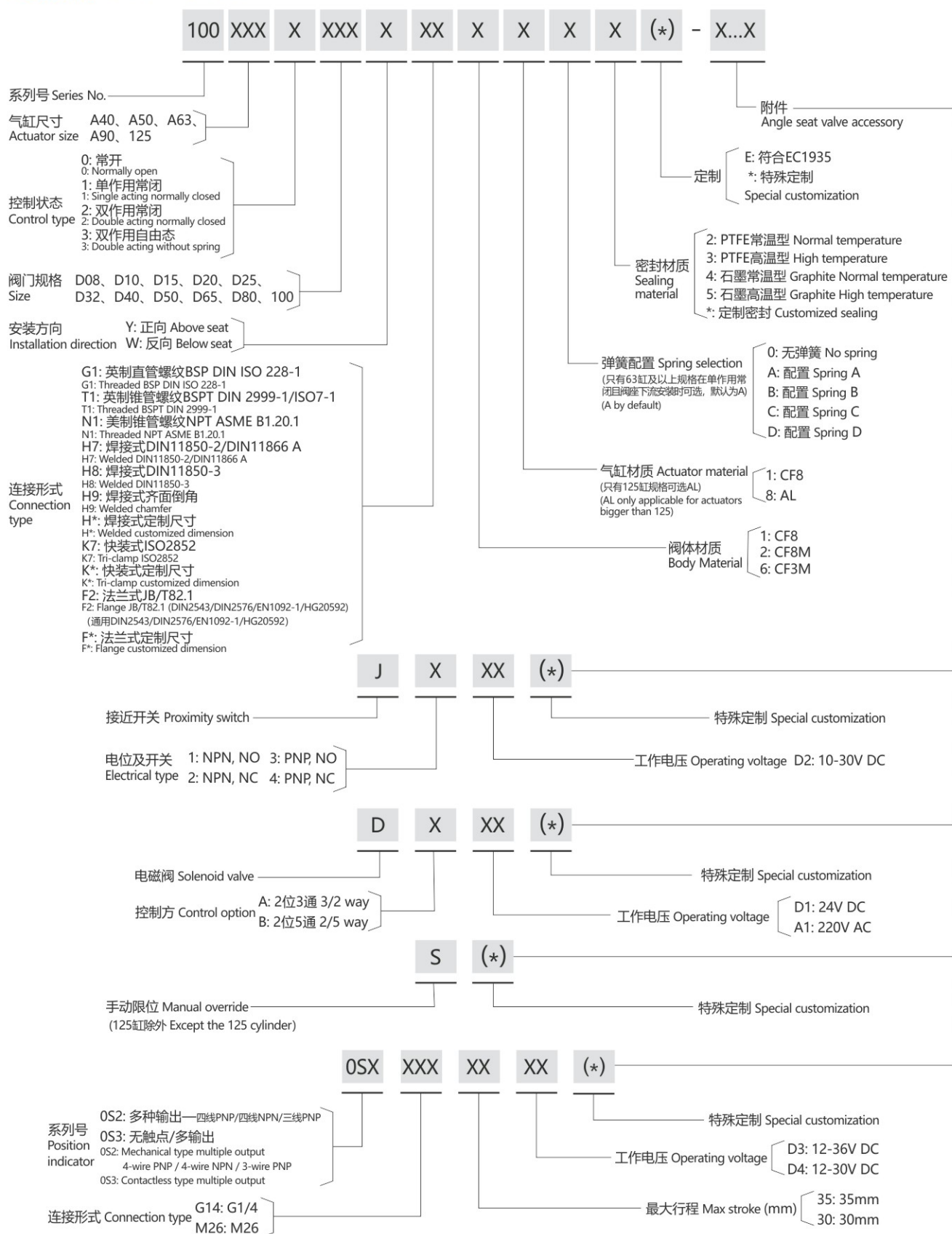
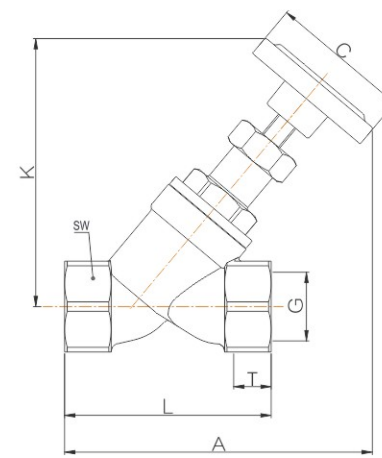
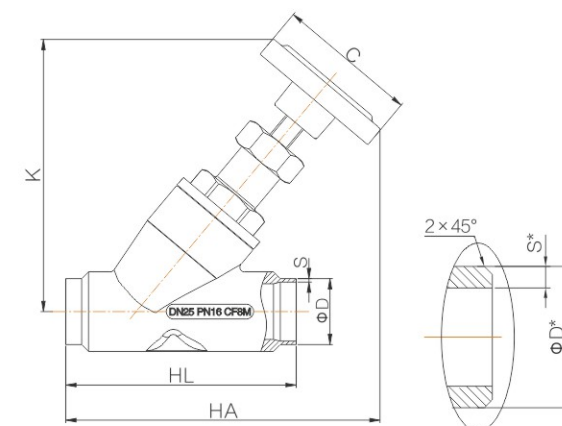


注：为保证以上产品性能，建议产品选型按≤90%压力范围中的最高值！

Note: In order to ensure product performance, it is recommended to select product according to the highest value in the ≤ 90% pressure range.

Y型角座阀 Y-type Angle Seat Valve

订货说明 Order Instruction

107系列螺纹式手动角座阀
107 Series
Threaded Manual Angle Seat Valve107系列焊接式手动角座阀
107 Series
Welded Manual Angle Seat Valve螺纹式
Threaded connection焊接式
Welded connection齐面倒角
Chamfer

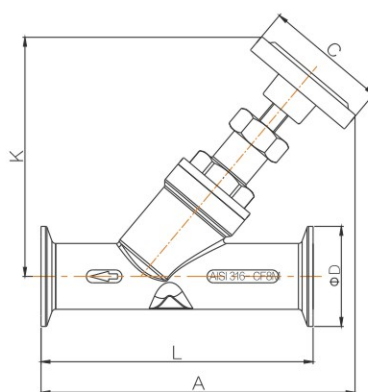
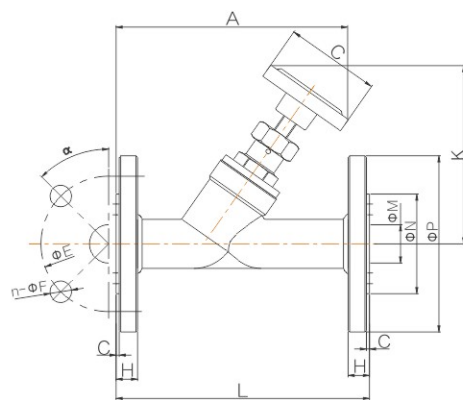
外形尺寸 Dimension

规格 Size	C	K	螺纹式 Threaded connection					焊接式 Welded connection							
			G	T	A	L	SW	HA	HL	齐面倒角 Chamfer ΦD* S*	DIN11850-2 ΦD S	DIN11850-3 ΦD S			
DN8	62	115	1/4"	12	128	68	27	-	-	-	-	-	-		
DN10	62	115	3/8"	12	128	68	27	-	-	-	-	-	-		
DN15	62	115	1/2"	15	128	68	27	120	70	22	3.5	19	1.5	20	2
DN20	62	120	3/4"	16	133	75	32	128	82	29	5	23	1.5	24	2
DN25	62	125	1"	17	142	90	40	144	100	35	5	29	1.5	30	2
DN32	62	146	1 1/4"	21	166	116	50	165	125	39	4	35	1.5	36	2
DN40	62	148	1 1/2"	21	168	116	56	168	130	45	4.5	41	1.5	42	2
DN50	62	155	2"	22	182	138	69	182	155	57	4	53	1.5	54	2
DN65方口	80	211	2 1/2"	26	226	178	85	270	270	75	5	70	2		

注: *标识的尺寸为毛坯设计尺寸(实际尺寸可能有偏差, 仅供参考)

Note: * designates design dimension (the actual dimension may vary)

Y型角座阀 Y-type Angle Seat Valve

107系列快装式手动角座阀
107 Series
Tri-clamp Manual Angle Seat Valve107系列法兰式手动角座阀
107 Series
Flanged Manual Angle Seat Valve快装式
Tri-clamp connection法兰式
Flange connection

外形尺寸 Main Dimension

规格 Size	C	快装式 Tri-clamp connection				法兰式 Flange connection										
		K	ΦD	L	A	K	A	L	C	H	ΦE	n-ΦF	ΦM	ΦN	ΦP	α
DN15	62	113	34	80	132	116	136	130	2	14	65	4-14	16	45	95	45°
DN20	62	122	50.5	130	147	122	157	150	2	14	75	4-14	19	56	105	45°
DN25	62	126	50.5	130	156	127	157	160	2	14	85	4-14	26	65	115	45°
DN32	62	142	50.5	146	174	147	162	180	2	16	100	4-18	31	78	140	45°
DN40	62	141	64	160	185	149	181	200	3	16	110	4-18	38	84	150	45°
DN50	62	152	64	175	195	156	210	230	3	16	125	4-18	54	100	165	45°
DN65方口 Square bonnet	80	200	91	278	266	201	272	290	3	18	145	4-18	71	120	185	45°

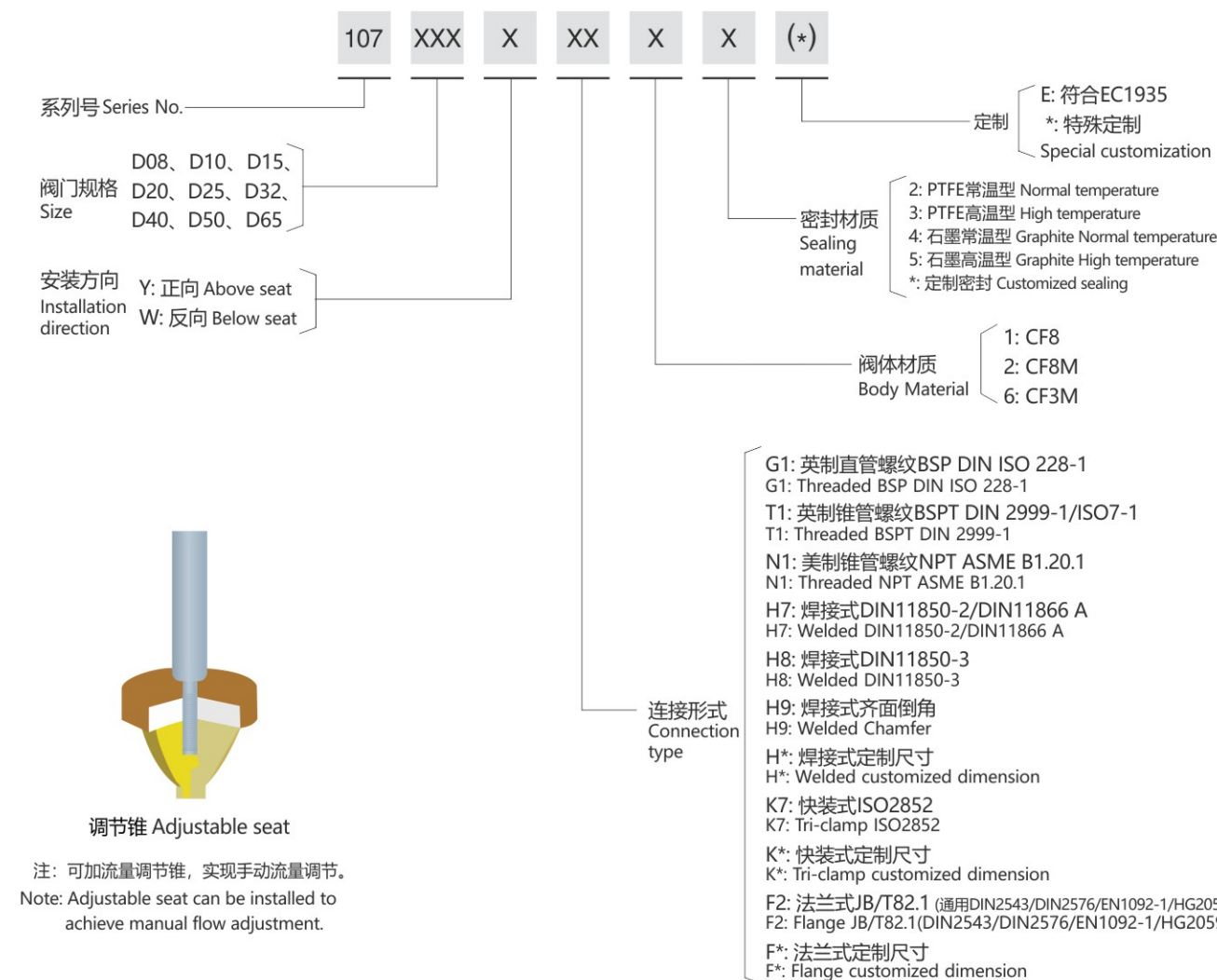
技术参数

- 工作压力: 0-16bar (0-232psi)
- 阀体材质: CF8/CF8M/CF3M及其他特殊材质
- 阀芯密封: PTFE
- 适用介质: 水、酒精、油类、燃料、蒸汽、中性气体或液体、有机溶剂、弱酸或弱碱溶液
- 介质温度: -10°C — +180°C (PTFE常温型)
+25°C — +220°C (PTFE高温型)
- 环境温度: -10°C — +80°C
- 介质最大粘度: 600mm²/s
- 连接形式: 螺纹式, 焊接式, 快装式, 法兰式
- 泄漏等级: DIN EN 12266 A级

Technical Specification

- Operating pressure: 0-16bar (0-232psi)
- Body material: CF8/CF8M/CF3M
- Seal material: PTFE
- Applicable medium: Water, Alcohol, Oil, Fuel, Steam, Neutral gas or Liquid, organic solvent, weak acid or weak base solution
- Fluid temperature: -10°C — +180°C, +25°C — +220°C
- Ambient temperature: -10°C — +80°C
- Maximum fluid viscosity: 600mm²/s
- Connection type: Threaded, Welded, Tri-clamp, Flange
- Leakage class: DIN EN 12266 Class A

订货说明 Order Instruction



ESG®

比例调节角座阀 Proportional Control Angle Seat Valve

104系列分体式气控比例调节角座阀
104 Series Two-piece Pneumatic
Proportional Control Angle Seat Valve

技术参数

- 连接形式: 螺纹式、焊接式、快装式、法兰式
- 介质温度: -10°C — +180°C (PTFE常温型)
+25°C — +220°C (PTFE高温型)
- 环境温度: 0°C — +60°C
- 工作压力: 参见比例调节角座阀安装选型表
- 控制压力: 4—7bar (58-102psi)
- 工作电压: 24VDC±10%
- 阀门设定信号: 0/4—20mA或0—5/10V
- 功耗: <4W
- 设定信号输入阻抗: 0/4—20mA信号时120Ω,
0—5/10V信号时40KΩ
- 模拟输出信号: 0/4—20mA时最大负载750Ω,
0—5/10V时最大电流20mA
- 开关量信号输出最大电流: 100mA
- 防护等级: IP65
- 防爆等级: II 3G Ex ec IIC T4 Gc
- 泄漏等级: DIN EN 12266 A级

特点

1. 调节方便, 操作简单;
2. 运行稳定;
3. 独特的调节锥设计, 建立了阀门开闭行程和流量的线性或等百分比的变化关系, 从而实现精确快速的流量调节功能;
4. 104/124分体式调节阀, 因将主体控制部分独立出来, 可安装在远端, 更能适应高温高湿等较恶劣的场所;
5. 稳定状态下无需消耗空气;
6. 可拓展为数字控制或过程控制功能。

Technical Specification

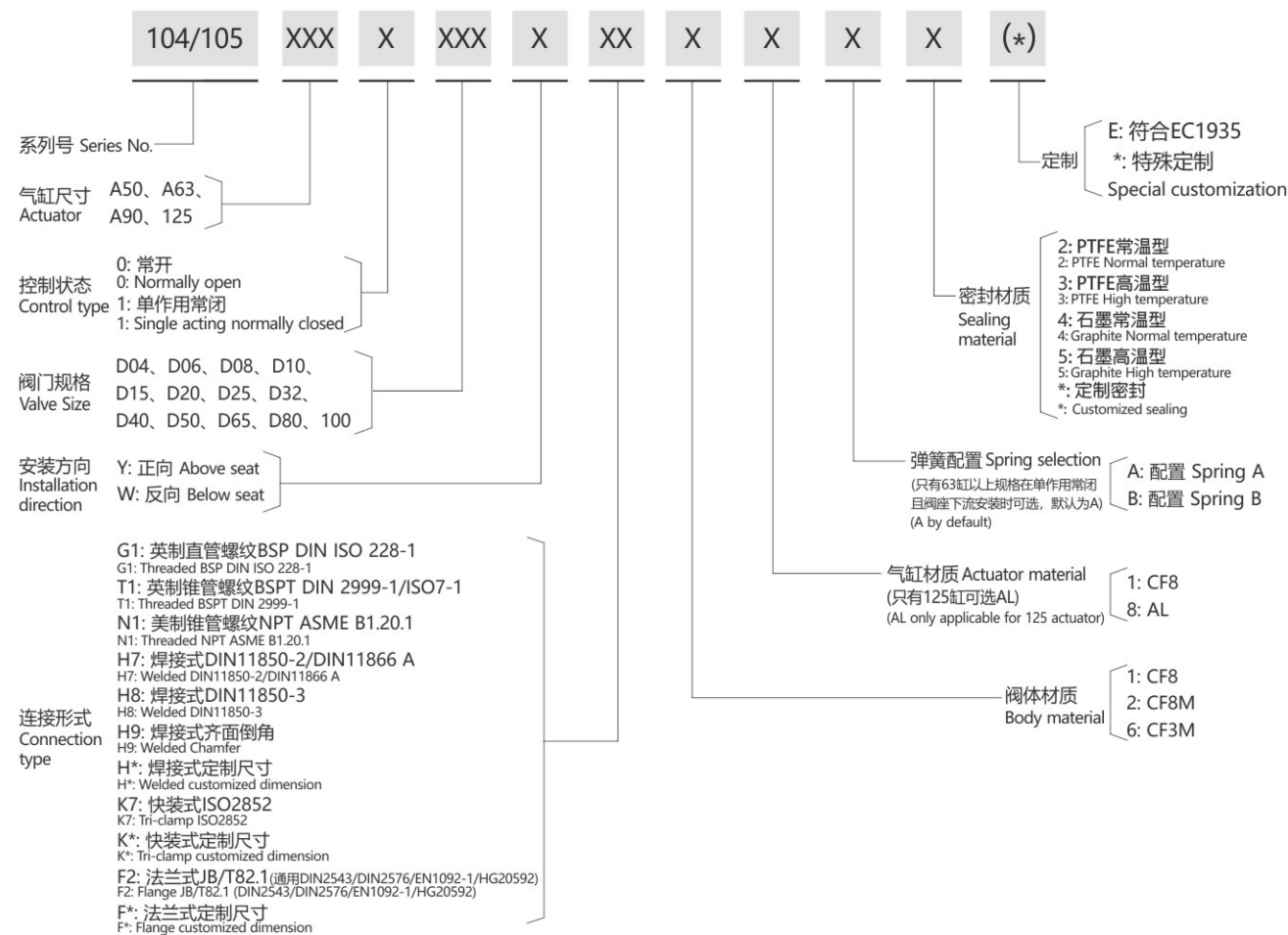
- Connection type: Threaded, Welded, Tri-clamp, Flange
- Medium temperature: -10°C — +180°C
+25°C — +220°C
- Medium temperature: 0 — +60°C
- Operating pressure: Refer to the selection table of proportional adjustment angle seat valve
- Control pressure: 4—7bar (58-102psi)
- Control power: 24VDC
- Valve set signal: 0/4—20mA or 0—5/10V
- Power consumption: <4W
- Input Signal Impedance: 120Ωat 0/4—20mA,
40KΩunder 0—5/10V
- Simulated Output signal: Max load is 750Ωat 0/4—20mA,
Max current is 20mA under 0—5/10V
- Protection: IP65
- Explosion-proof: II 3G Ex ec IIC T4 Gc
- Leakage class: DIN EN 12266 Class A

Advantages

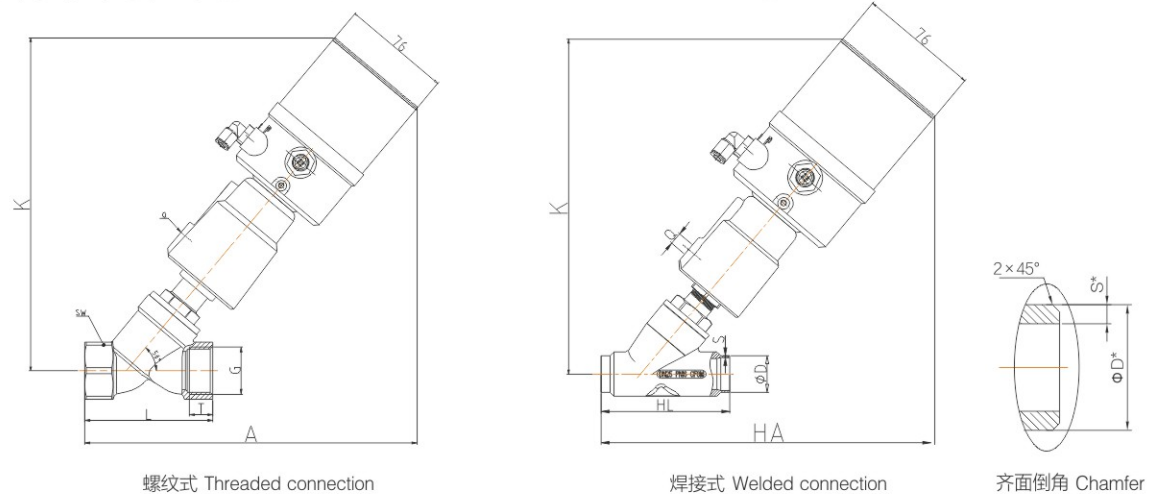
1. Convenient to adjust and easy to operate.
2. Stable operation with vibration resistance.
3. The unique design of adjustable seat establishes a proportional linear relationship between open/close state of the valve with the flow rate, achieving precise flow adjustment.
4. For 104 and 124 series, the intelligent positioner and the valve are separate and can be installed at a distance, making it more suitable for high temperature and humidity environment.
5. No air consumption when in steady state.
6. Can be expanded to digital control or process control functions.

105系列气控比例调节角座阀
105 Series Pneumatic
Proportional Control Angle Seat Valve调节锥
Adjustable seat

订货说明 Order Instruction



比例调节角座阀 Proportional Control Angle Seat Valve



螺纹式 Threaded connection

焊接式 Welded connection

齐面倒角 Chamfer

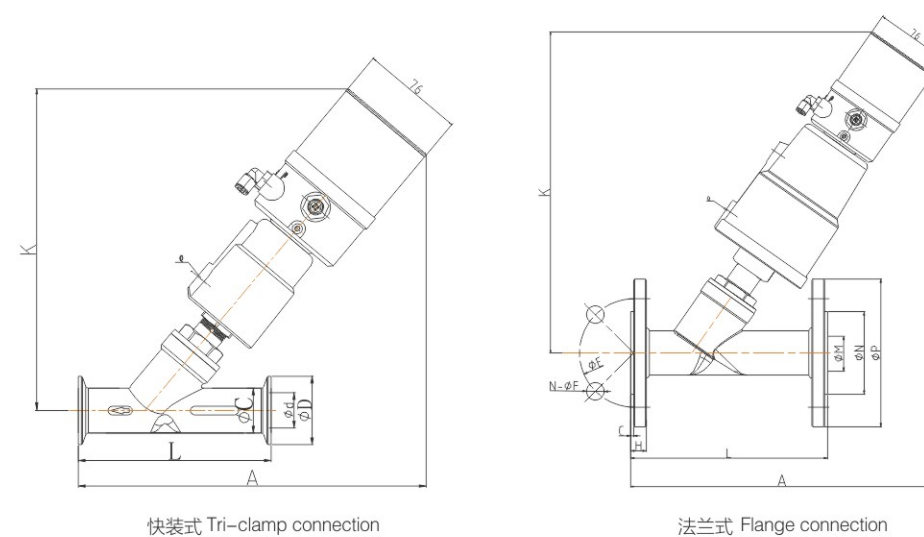
105系列螺纹式调节阀外形尺寸表 105 Series Main Dimension (Threaded Connection)

规格 Size	执行器 Actuator (mm)	Q	K	A	L	G	SW	T
DN4	50	1/8"	224	221	68	1/2" 3/8"	27	12
DN6	50	1/8"	224	221	68	1/2" 3/8"	27	12
DN8	50	1/8"	224	221	68	1/4"	27	12
	63	1/8"	237	233				
DN10	50	1/8"	224	221	68	3/8"	27	12
	63	1/8"	237	233				
DN15	50	1/8"	224	221	68	1/2"	27	15
	63	1/8"	237	233				
DN20	50	1/8"	231	226	75	3/4"	32	16
	63	1/8"	244	237				
DN25	50	1/8"	235	236	90	1"	40	17
	63	1/8"	257	253				
DN32	63	1/8"	269	271	116	1 1/4"	50	21
	90	1/8"	319	301				
DN40	90	1/8"	319	301	116	1 1/2"	56	21
DN50	90	1/8"	328	316	138	2"	69	22
	125AL	1/4"	386	359				
DN65方口 Square bonnet	125AL	1/4"	416	374	178	2 1/2"	85	26
DN80方口 Square bonnet	125AL	1/4"	441	394	210	3"	100	27

105系列焊接式调节阀外形尺寸表 105 Series Main Dimension (Welded Connection)

规格 Size	执行器 Actuator (mm)	Q	K	HA	HL	齐面倒角Chamfer		DIN11850-2		DIN11850-3	
						ΦD*	S*	ΦD	S	ΦD	S
DN15	50	1/8"	224	214	70	22	3.5	19	1.5	20	2
	63	1/8"	237	226							
DN20	50	1/8"	231	221	82	29	5	23	1.5	24	2
	63	1/8"	244	232							
DN25	50	1/8"	235	236	100	35	5	29	1.5	30	2
	63	1/8"	257	256							
DN32	63	1/8"	269	267	125	39	4	35	1.5	36	2
	90	1/8"	319	298							
DN40	90	1/8"	319	301	130	45	4.5	41	1.5	42	2
	90	1/8"	318	316							
DN50	125AL	1/4"	386	361	155	57	4	53	1.5	54	2
	125AL	1/4"	416	414							
DN65方口 Square bonnet	125AL	1/4"	416	414	270	75	5	70	2	—	—
DN80方口 Square bonnet	125AL	1/4"	441	414	284	90	5.5	85	2	—	—

注: *标识的尺寸为毛坯设计尺寸 (实际尺寸可能有偏差, 仅供参考)
Note: * Designates design dimension (the actual dimension may vary)



快装式 Tri-clamp connection

法兰式 Flange connection

105系列快装式调节阀外形尺寸表 105 Series Main Dimension (Tri-clamp Connection)

规格 Size	执行器 Actuator (mm)	Q	K	A	L	ΦC	ΦD	Φd
DN15	50	1/8"	221	221	80	20.5	34	15
DN20	50	1/8"	243	239	130	25	50.5	19
	63	1/8"	258	256				
DN25	50	1/8"	239	251	130	33	50.5	27
	63	1/8"	261	269				
DN32	63	1/8"	269	281	146	37	50.5	31
	90	1/8"	319	311				
DN40	90	1/8"	319	321	160	40	64	34
DN50	90	1/8"	331	331	175	53	64	45
	125AL	1/4"	382	379				
DN65方口 Square bonnet	125AL	1/4"	416	414	278	75	91	65
DN80方口 Square bonnet	125AL	1/4"	438	414	290	89.5	106	78.5

105系列法兰式调节阀外形尺寸表 105 Series Main Dimension (Flange Connection)

规格 Size	执行器 Actuator (mm)	Q	K	A	L	ΦP	ΦN	ΦM	H	C	ΦE	n-ΦF
DN15	50	1/8"	237	232	130	95	45	16	14	2	65	4-14
DN20	50	1/8"	237	252	150	105	56	19	14	2	75	4-14
DN25	50	1/8"	267	257	160	115	65	26	14	2	85	4-14
	63	1/8"	268	272								
DN32	63	1/8"	281	272	180	140	78	31	16	2	100	4-18
	90	1/8"	329	297								
DN40	90	1/8"	334	317	200	150	84	38	16	3	110	4-18
	90	1/8"	339	344								
DN50	125AL	1/4"	394	385	230	165	100	54	16	3	125	4-18
	125AL	1/4"	414	430								
DN65方口 Square bonnet	125AL	1/4"	414	430	290	185	120	71	18	3	145	4-18
DN80方口 Square bonnet	125AL	1/4"	439	435	310	200	135	84	20	3	160	8-18
DN100方口 Square bonnet	125AL	1/4"	467	482	350	215	155	96	20	3	180	8-18